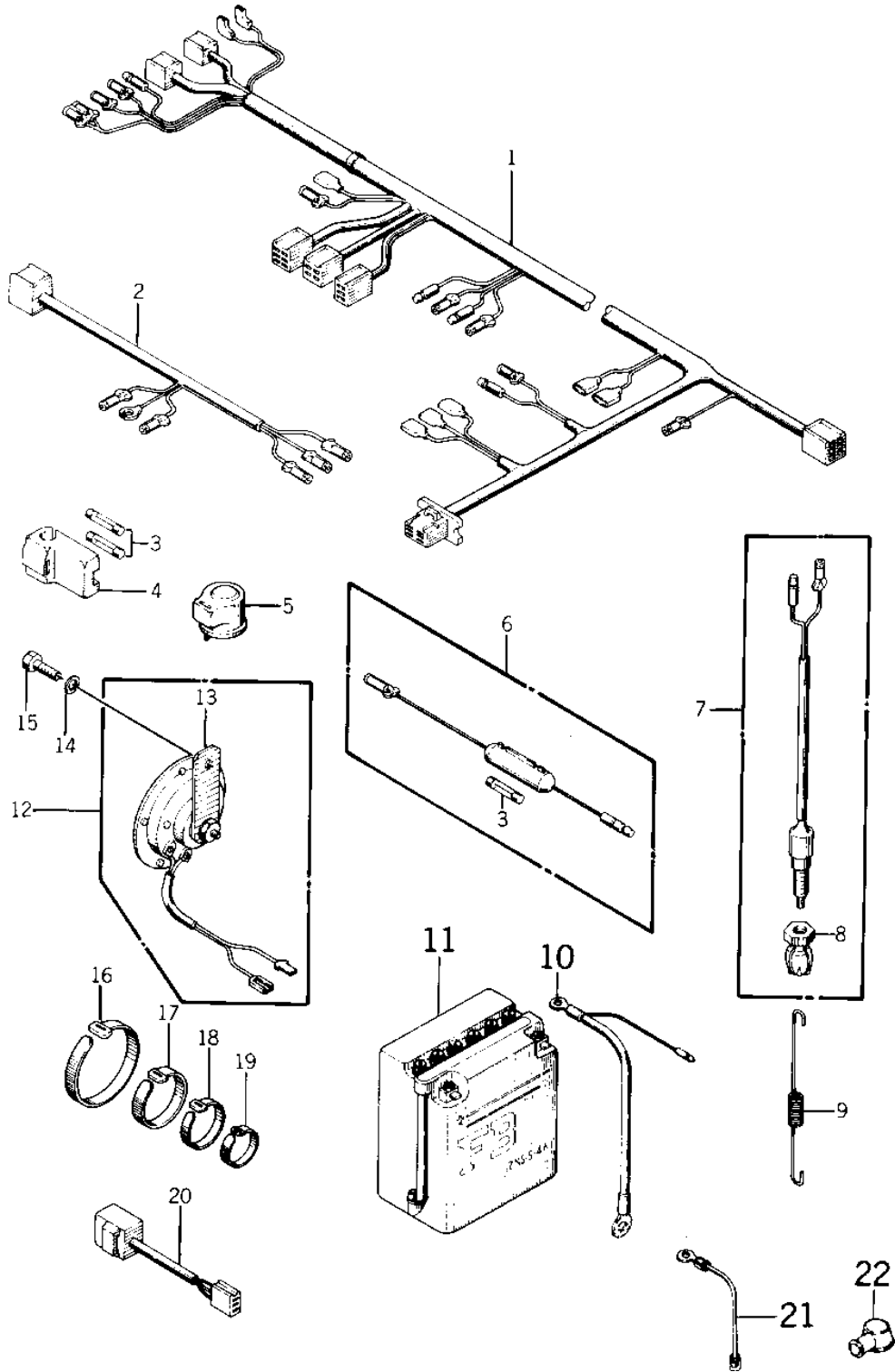


# 1975 Special PARTS DIAGRAM

CHASSIS ELECTRICAL EQUIPMENT ('75 S)



# 1975 Special PARTS LIST

## CHASSIS ELECTRICAL EQUIPMENT ('75 S)

ITEM NAME	PART NUMBER	QUANTITY
WIRING HARNESS MAIN (Ref # 1)	26001-119	1
WIRING HARNESS REAR (Ref # 2)	26002-049	1
FUSE-20A (Ref # 3)	26006-005	3
HOLDER,SPARE FUSE (Ref # 4)	26016-002	1
RELAY-TURN SIGNAL (Ref # 5)	27002-011	1
FUSE ASSY 20A (Ref # 6)	26004-024	1
SWITCH,BRAKE LIGHT (Ref # 7)	27010-025	1
NUT,BRAKE LAMP SWITCH (Ref # 8)	27037-001	1
SPRING,BRAKE LIGHT SW (Ref # 9)	27011-015	1
WIRE-BATTERY GROUND (Ref # 10)	26010-039	1
FB BAT 12N5.5-4A (Ref # 11)	26012-022	1
YUA BAT 12N5.5-4A (Ref # 11)	K26012-022	1
HORN (Ref # 12)	27003-053	1
BRACKET,HORN (Ref # 13)	27038-002	4
WASHER SPRING 8MM (Ref # 14)	461F0800	1
BOLT-SMALL-UPSET,8X14 (Ref # 15)	115B0814	1
BAND,LONG (Ref # 16)	92072-032	5
BAND,MIDDLE (Ref # 17)	92072-031	5
BAND,SHORT (Ref # 18)	92072-030	10
BAND,BREATHER WIRE (Ref # 19)	92072-067	3
SWITCH,BK LIGHT IND (Ref # 20)	28019-002	1
WIRE-BATTERY LEAD (Ref # 21)	26010-038	1
CAP BAT TERMINAL RUBB (Ref # 22)	92073-001	1