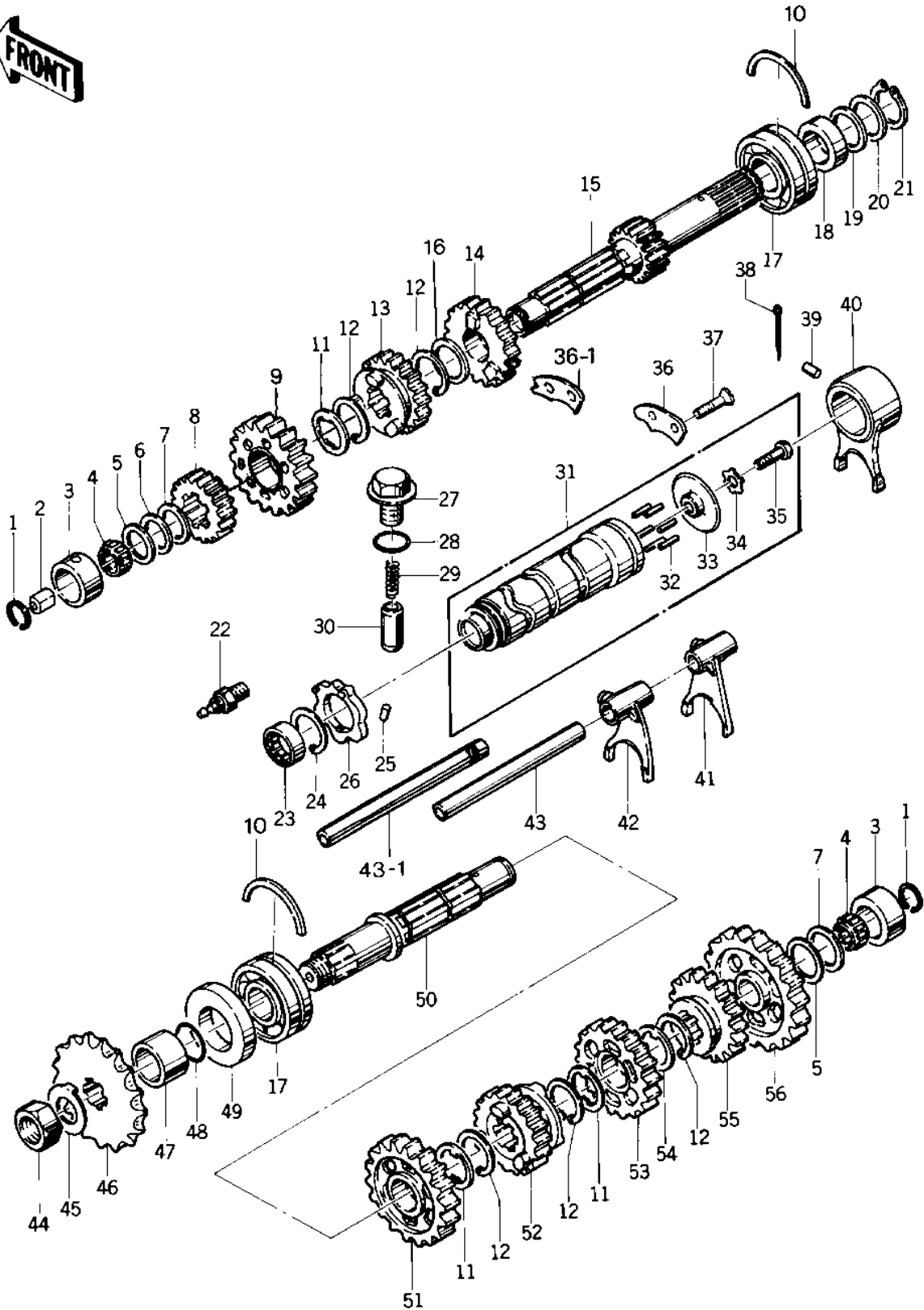


1976 Special PARTS DIAGRAM

TRANSMISSION/CHARGE DRUM ('76-'77 S2/S3)



1976 Special PARTS LIST

TRANSMISSION/CHARGE DRUM ('76-'77 S2/S3)

ITEM NAME	PART NUMBER	QUANTITY
CIRCLIP (Ref # 1)	92033-015	2
BUSHING,DRIVE SHAFT (Ref # 2)	92028-155	1
BUSHING,OUTPUT&DRIVE (Ref # 3)	92028-170	2
BRG,N,20R25139 (Ref # 4)	92046-044	2
WASHER THRUST (Ref # 5)	92022-112	2
WASHER THRUST (Ref # 6)	92022-113	1
SHIM-KICK SHAFT (Ref # 7)	92022-144	2
2ND GEAR,DRIVE SHAFT (Ref # 8)	13130-038	1
UNAVAILABLE IN PRICE BOOK (Ref # 9)	13136-058	1
RING BEARING SETTING (Ref # 10)	14013-004	2
WASHER-LOCK (Ref # 11)	92024-038	3
CIRCLIP (Ref # 12)	92033-026	5
3RD GEAR,DRIVE SHAFT (Ref # 13)	13132-037	1
4TH GEAR,DRIVE SHAFT (Ref # 14)	13134-021	1
SHAFT,DRIVE (Ref # 15)	13127-047	1
WASHER-THRUST (Ref # 16)	92022-225	1
BEARING,B,5205ANX4PX (Ref # 17)	92045-031	2
COLLAR (Ref # 18)	92027-289	1
COLLAR (Ref # 18)	92027-289	1
WASHER-THRUST (Ref # 19)	92022-225	1
WASHER,CLUTCH TRUST (Ref # 20)	92022-302	1
CIRCLIP (Ref # 21)	92033-026	1
SWITCH,NEUTRAL (Ref # 22)	13151-5002	1
BRG,N,24BTM3010A (Ref # 23)	92046-039	1
CIRCLIP,30MM (Ref # 24)	480J3000	1
PIN-DOWEL,4X6 (Ref # 25)	610A0406	1
CAM-CHANGE DRUM (Ref # 26)	13145-1058	1
BOLT, NEUTRAL POSITON (Ref # 27)	92001-147	1
"O" RING,NEWTRAL PST (Ref # 28)	92055-078	1

1976 Special PARTS LIST

TRANSMISSION/CHARGE DRUM ('76-'77 S2/S3)

ITEM NAME	PART NUMBER	QUANTITY
SPRING (Ref # 29)	92081-112	1
PIN-NEUTRAL POSITION (Ref # 30)	92043-076	1
DRUM ASSY,GEAR SHIFT (Ref # 31)	13239-014	1
PIN GEAR CHANGE DRUM (Ref # 32)	92042-014	6
PLATE,SHIFT DRUM PIN (Ref # 33)	13142-016	1
WASHER LOCK 6MM (Ref # 34)	464G0600	1
SCREW PAN HEAD 6X14 (Ref # 35)	220B0614	1
PLATE,SHIFT DRUM PSTN (Ref # 36)	13169-010	1
PLATE,SIFT DRM POSITN (Ref # 36-1)	14014-1001	1
PLATE,DRUM POSITION (Ref # 36-1)	13169-1121	AR
SCREW CNTSNK HD 6X16 (Ref # 37)	212B0616	2
PIN COTTER 3.0X20 (Ref # 38)	550D3020	1
DOWEL PIN,8X18 (Ref # 39)	92042-021	1
SHIFT FORK,4TH&TOP (Ref # 40)	13140-068	1
SHIFT FORK,LOW (Ref # 41)	13140-066	1
SHIFT FORK,2ND 3RD (Ref # 42)	13140-067	1
ROD,SHIFT (Ref # 43)	13209-018	1
SHIFT ROD (Ref # 43-1)	13209-020	1
ROD,SHIFT (Ref # 43-1)	13209-022	1
NUT 20MM (Ref # 44)	92016-028	1
WASHER,LOCK,20MM (Ref # 45)	92024-044	1
ENGINE SPROCKET,15T (Ref # 46)	13144-1002	1
COLLAR,ENG SPROCKET (Ref # 47)	92027-288	1
COLLAR,ENG SPROCKET (Ref # 47)	92027-288	1
"O" RING (Ref # 48)	92055-035	1
OIL SEAL SC325210 (Ref # 49)	92050-024	1
SHAFT,OUTPUT (Ref # 50)	13128-042	1
2ND GEAR,OUTPUT SHAFT (Ref # 51)	13131-045	1
TOP GEAR,OUTPUT SHAFT (Ref # 52)	13137-031	1