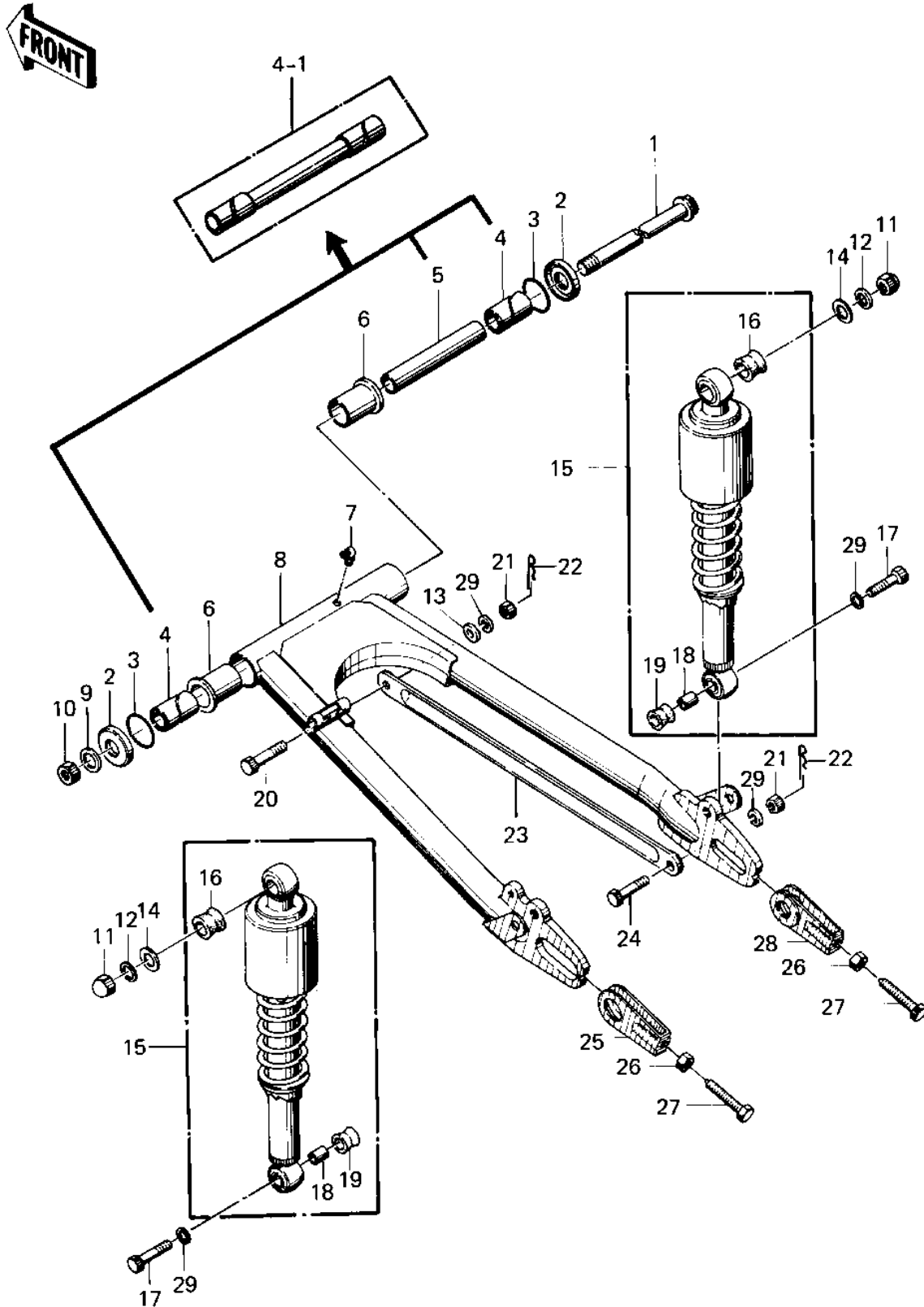


1976 Special PARTS DIAGRAM

SWING ARM/SHOCK ABSORBERS ('76-'77 S2/S3)



1976 Special PARTS LIST

SWING ARM/SHOCK ABSORBERS ('76-'77 S2/S3)

ITEM NAME	PART NUMBER	QUANTITY
SHAFT,SWING ARM PIVOT (Ref # 1)	33032-046	1
CAP-SWING ARM (Ref # 2)	33035-004	2
"0" RING,30MM (Ref # 3)	671B2530	2
SLEEVE-SWING ARM,SHRT (Ref # 4)	33034-013	2
SLEEVE, SWING ARM (Ref # 4-1)	33034-028	2
COLLAR,SWING ARM (Ref # 5)	33036-006	1
BUSHING-SWING ARM (Ref # 6)	33033-009	2
GREASE NIPPLE (Ref # 7)	92005-002	1
ARM,SWING (Ref # 8)	33001-073	1
WASHER PLAIN 14MM (Ref # 9)	410B1400	1
NUT-LOCK,14MM (Ref # 10)	92019-011	1
NUT SHOCK ABSORBER (Ref # 11)	92020-003	2
WASHER SPRING 10MM (Ref # 12)	461F1000	2
WASHER PLAIN 10MM (Ref # 13)	410B1000	1
WASHER,PLAIN (Ref # 14)	92022-1022	2
WASHER,PLAIN (Ref # 14)	92022-1022	2
SHOCK ABSBR RR (Ref # 15)	45014-115	2
BUSHING,SHCK ABS RUB (Ref # 16)	45017-015	2
BOLT HEX HEAD 10X35 (Ref # 17)	113N1035	2
BUSHING,SHOCK ABSORB (Ref # 18)	45016-008	2
BUSHING, SHCK ABS RUB (Ref # 19)	45017-012	2
BOLT,HEX HEAD,10X57 (Ref # 20)	92003-169	1
BOLT (Ref # 20)	92003-096	1
NUT,10MM (Ref # 21)	314B1000	2
NUT 10MM (Ref # 21)	315B1000	2
PIN,SNAP (Ref # 22)	554A0800	2
TORQUE LINK,FR BRAKE (Ref # 23)	43007-042	1
TORQUE LINK REAR BRK (Ref # 23)	43007-016	1
BOLT HEX HEAD 10MM (Ref # 24)	92003-034	1

1976 Special PARTS LIST

SWING ARM/SHOCK ABSORBERS ('76-'77 S2/S3)

ITEM NAME	PART NUMBER	QUANTITY
ADJUSTER,CHAIN,L.H (Ref # 25)	33040-062	1
NUT 8MM (Ref # 26)	312B0800	2
BOLT,8X50 (Ref # 27)	92001-1399	2
ADJUSTER-CHAIN (Ref # 28)	33040-043	1
WASHER SPRING 10MM (Ref # 29)	461F1000	4