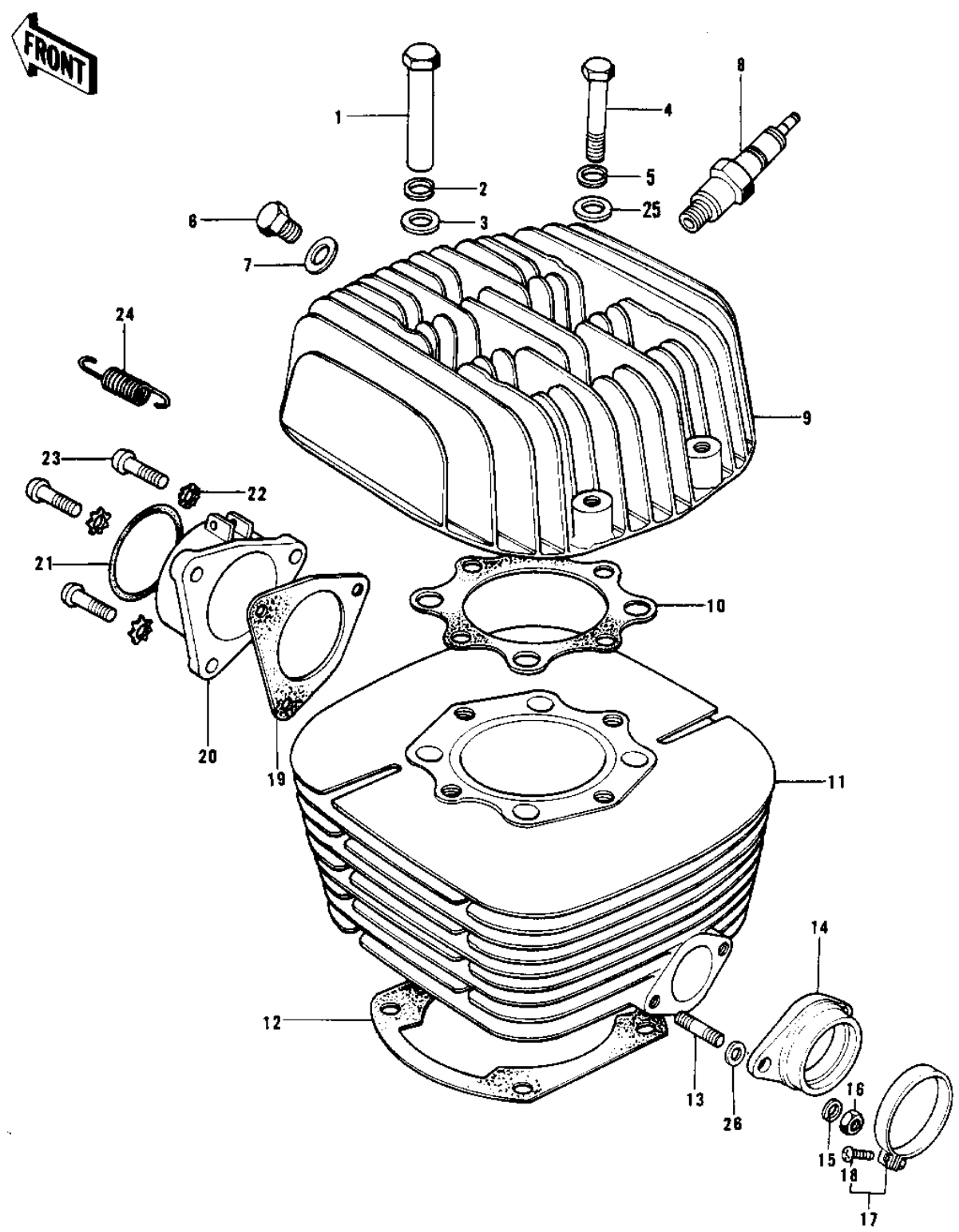


# 1976 KX400-A2 PARTS DIAGRAM

## CYLINDER HEAD/CYLINDER



# 1976 KX400-A2 PARTS LIST

## CYLINDER HEAD/CYLINDER

ITEM NAME	PART NUMBER	QUANTITY
NUT,CYLINDER HEAD (Ref # 1)	92015-065	
WASHER SPRING 14MM (Ref # 2)	461F1400	
WASHER PLAIN 14MM (Ref # 3)	411B1400	
BOLT,10X45 (Ref # 4)	92001-1182	
WASHER SPRING 8MM (Ref # 5)	461F0800	
PLUG,CYLINDER HEAD (Ref # 6)	92067-021	
GASKET-CYL HEAD PLUG (Ref # 7)	92065-068	
SPARK PLUG B9EV (Ref # 8)	B9EV	
CYLINDER HEAD,F.BLACK (Ref # 9)	11001-105-21	
GASKET,CYLINDER HEAD (Ref # 10)	11004-070	
CYLINDER,FLAT BLACK (Ref # 11)	11005-148-21	
GASKET,CYLINDER BASE (Ref # 12)	11009-035	
STUD 8X20 (Ref # 13)	172G0820	
STUD,8X16 (Ref # 13)	172G0816	
HOLDER,CARBURETOR (Ref # 14)	16065-043	
WASHER SPRING 8MM (Ref # 15)	461F0800	
NUT 8MM (Ref # 16)	318B0800	
CLAMP,AIR CLEANER (Ref # 17)	92037-160	
SCREW PAN HEAD 6X30 (Ref # 18)	220E0630	
GASKET,EXHAUST HOLDER (Ref # 19)	18050-006	
GASKET,EXHAUST PIPE (Ref # 19)	18050-010	
HOLDER,EXHAUST PIPE (Ref # 20)	18062-008	
UNAVAILABLE IN PRICE BOOK (Ref # 21)	56019-102	
WASHER LOCK 6MM (Ref # 22)	464H0600	
SCREW PAN HEAD 6X25 (Ref # 23)	220B0625	
SCREW PAN HEAD 6X22 (Ref # 23)	220B0622	
SPRING-CONNECTOR (Ref # 24)	18071-003	
WASHER PLAIN 8MM (Ref # 25)	410B0800	
GASKET,CARB HOLDER (Ref # 26)	16062-021	