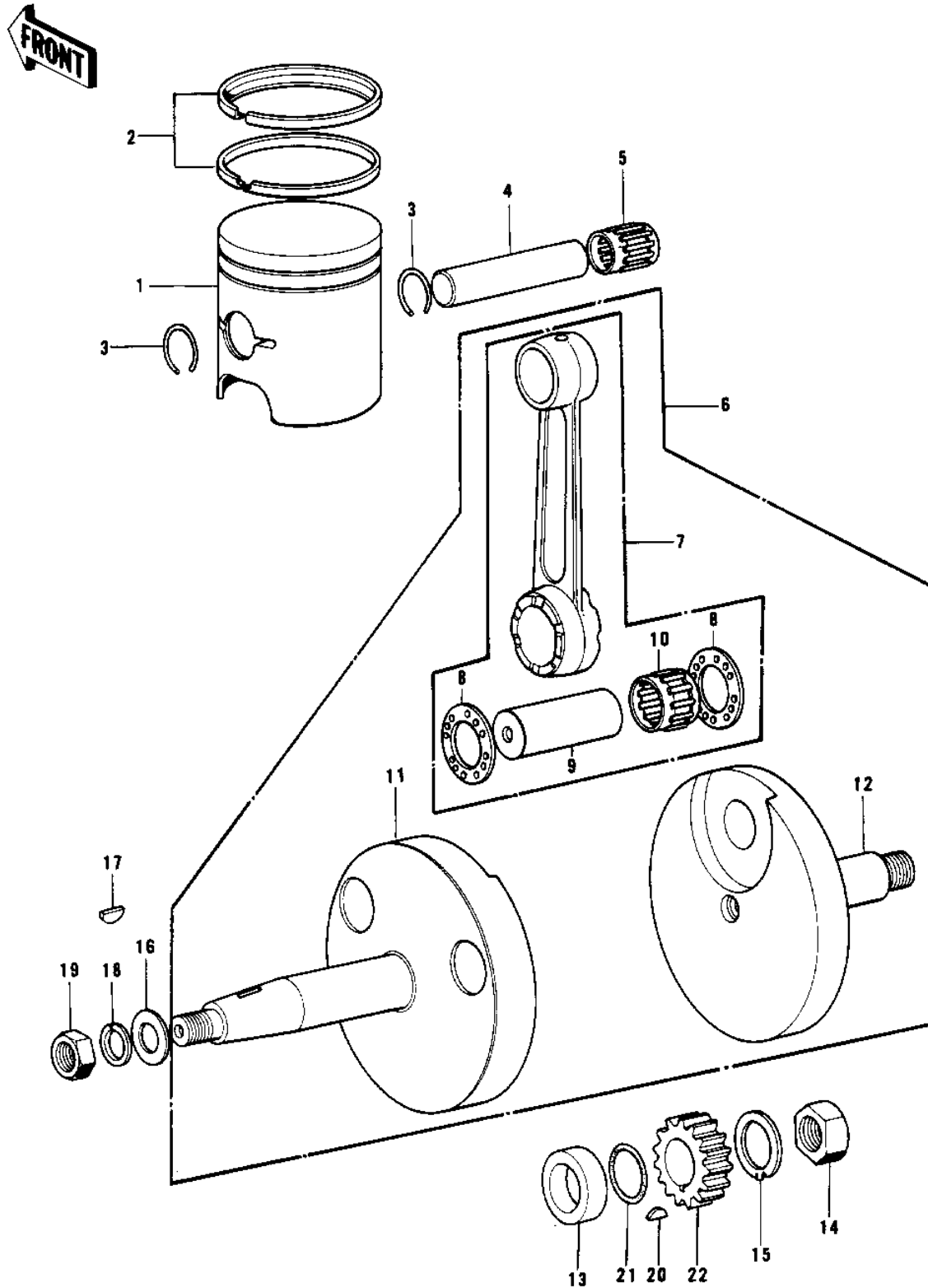


# 1976 KX400-A2 PARTS DIAGRAM

## CRANKSHAFT/PISTON



# 1976 KX400-A2 PARTS LIST

## CRANKSHAFT/PISTON

ITEM NAME	PART NUMBER	QUANTITY
PISTON,STD (Ref # 1)	13001-076	
PISTON,0.020" O/S (Ref # 1)	13029-076	
RING SET,STD (Ref # 2)	13008-057	
RING SET,0.020" O/S (Ref # 2)	13025-060	
CIRCRIP,PISTON PIN (Ref # 3)	92036-024	
PIN-PISTON (Ref # 4)	13002-030	
BEARING-SMALL END,KTV (Ref # 5)	13033-1055	
CRANKSHAFT ASSY (Ref # 6)	13036-042	
CONNECTING ROD SET (Ref # 7)	13044-027	
WASHER,CONROD SIDE (Ref # 8)	92026-093	
PIN,CRANK (Ref # 9)	13035-032	
BEARING,BIG END (Ref # 10)	13034-035	
CRANKSHAFT,L.H (Ref # 11)	13037-054	
CRANKSHAFT,R.H (Ref # 12)	13038-050	
COLLAR,CRANKSHAFT (Ref # 13)	92027-190	
NUT 18MM (Ref # 14)	92015-019	
WASHER LOCK 18MM (Ref # 15)	92024-015	
WASHER-PLAIN,14MM (Ref # 16)	92022-172	
WOODRUFF KEY (Ref # 17)	92038-001	
WASHER SPRING 14MM (Ref # 18)	461F1400	
NUT 14MM (Ref # 19)	92015-043	
WOODRUFF KEY (Ref # 20)	510A5100	
"0" RING,22MM (Ref # 21)	670B3022	
GEAR,PRIMART (Ref # 22)	13121-024	