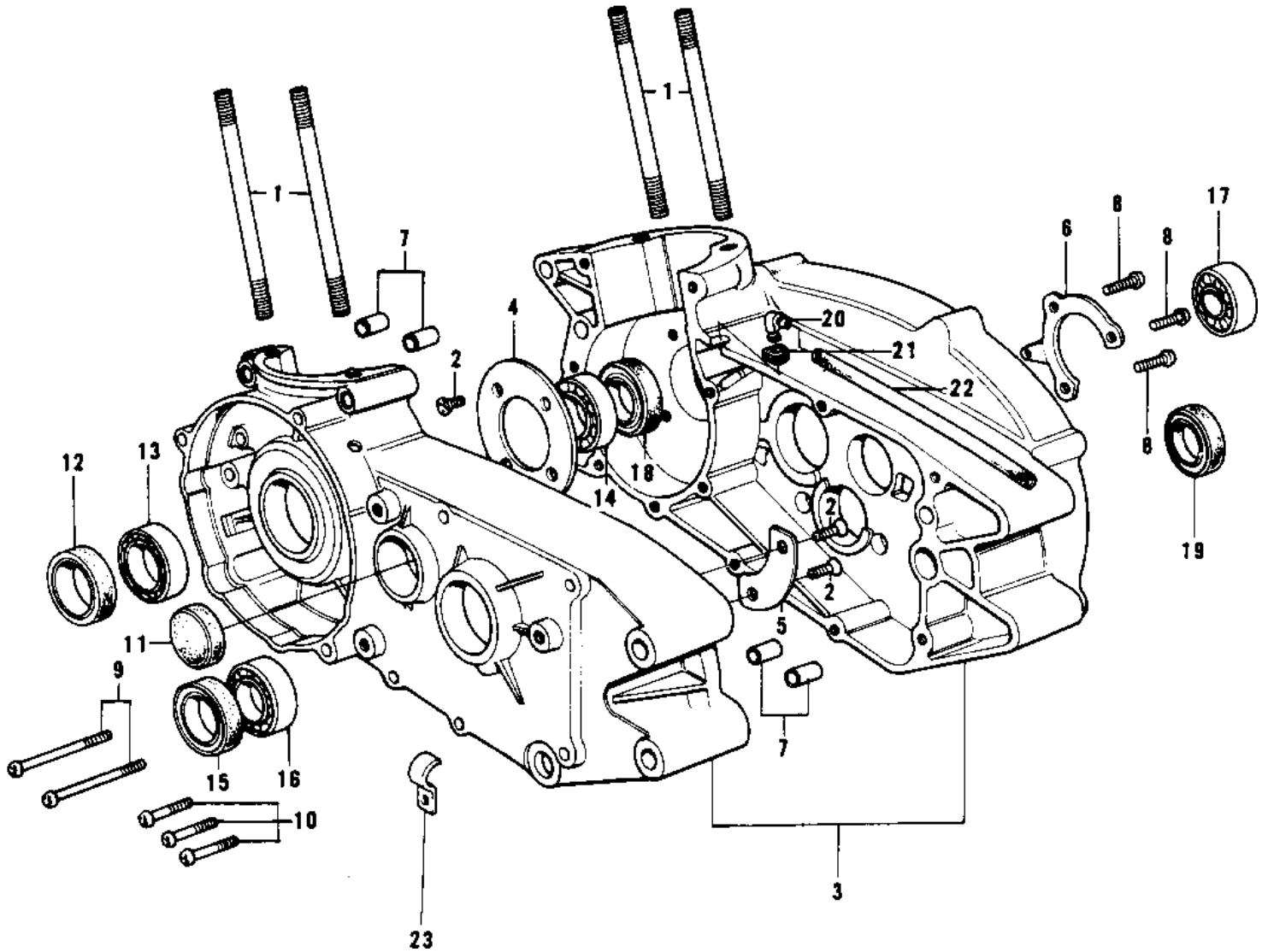


1976 KX400-A2 PARTS DIAGRAM

CRANKCASE



1976 KX400-A2 PARTS LIST

CRANKCASE

ITEM NAME	PART NUMBER	QUANTITY
STUD 10X90 (Ref # 1)	172G1090	
SCREW CNTSNK HD 6X14 (Ref # 2)	221B0614	
CRANKCASE SET (Ref # 3)	14001-072	
PLATE (Ref # 4)	14014-026	
PLATE (Ref # 5)	14014-027	
HOLDER,BEARING (Ref # 6)	14014-032	
PIN,DOWEL,10X8.2X14 (Ref # 7)	92043-1037	
SCREW PAN HEAD 6X14 (Ref # 8)	220B0614	
SCREW PAN HEAD 6X50 (Ref # 9)	220B0650	
SCREW PAN HEAD 6X70 (Ref # 10)	220B0670	
CAP,L.H.CRANKCASE (Ref # 11)	92073-024	
OIL SEAL,TB30508 (Ref # 12)	92050-057	
BEARING,BALL,#6306 (Ref # 13)	92045-037	
BEARING-BALL (Ref # 14)	92045-016	
OIL SEAL TB3040 (Ref # 15)	92050-033	
BEARING BALL #6205 (Ref # 16)	601B6205	
BEARING BALL #6304 (Ref # 17)	601B6304	
OIL SEAL,TB35508 (Ref # 18)	653B355008	
BUSHING (Ref # 19)	92028-131	
BREATHER ASSY (Ref # 20)	14069-1001	
GROMMET (Ref # 21)	92071-042	
PIPE-BREATHER (Ref # 22)	92059-061	
CLAMP CABLE (Ref # 23)	92037-016	