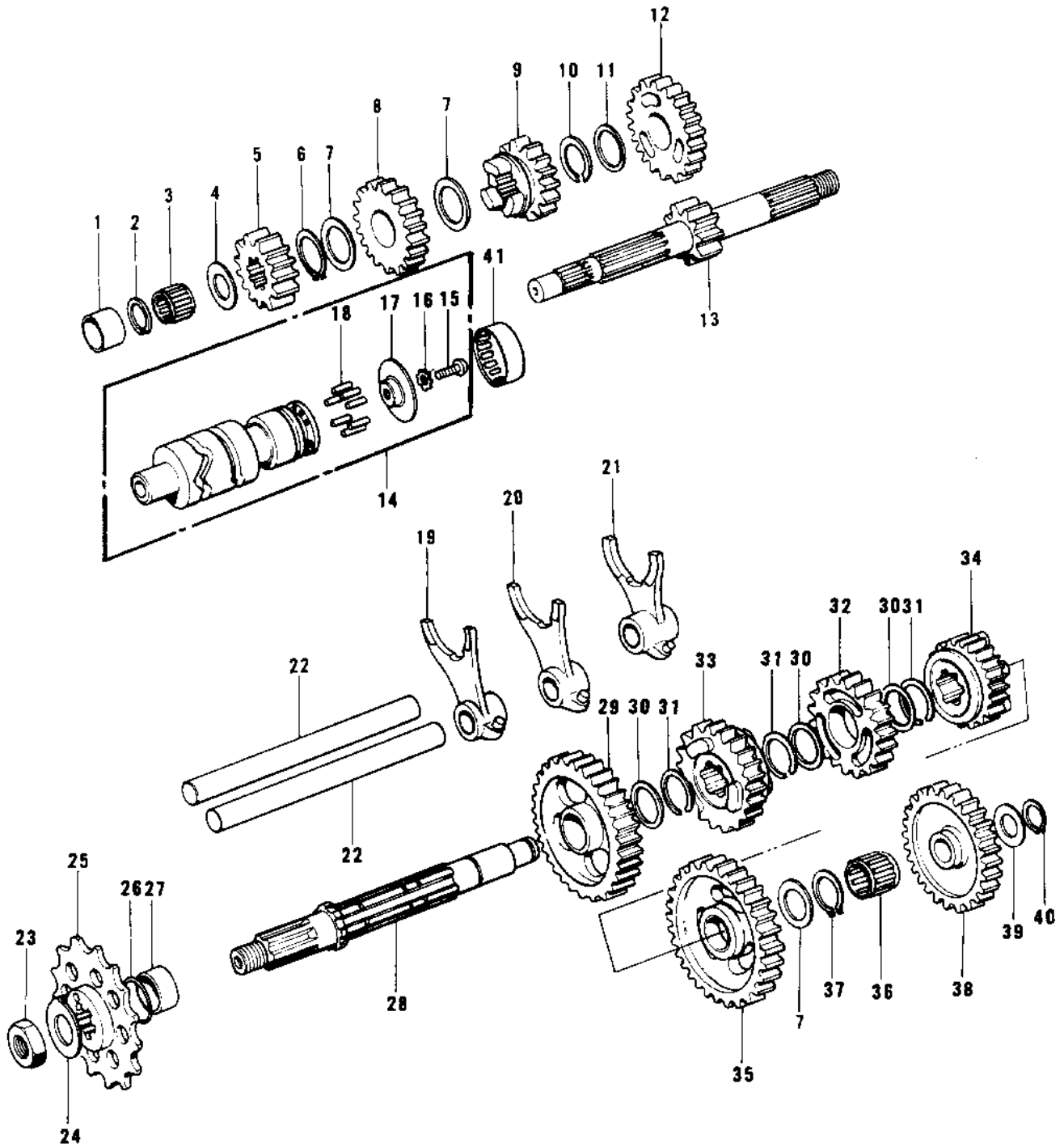


1976 KX400-A2 PARTS DIAGRAM

TRANSMISSION/CHANGE DRUM



1976 KX400-A2 PARTS LIST

TRANSMISSION/CHANGE DRUM

ITEM NAME	PART NUMBER	QUANTITY
BUSHING (Ref # 1)	92028-132	
CIRCLIP 17MM (Ref # 2)	92033-009	
BEARING,BALL,KT172313 (Ref # 3)	92046-035	
WASHER,PLAIN (Ref # 4)	92022-281	
2ND GEAR,DRIVE,13T (Ref # 5)	13130-042	
CIRCLIP (Ref # 6)	92033-015	
WASHER (Ref # 7)	92022-252	
4TH GEAR,DRIVE 16T (Ref # 8)	13134-028	
3RD GEAR,DRIVE,15T (Ref # 9)	13132-041	
CIRCLIP (Ref # 10)	92033-027	
WASHER (Ref # 11)	92022-254	
TOP GEAR,DRIVE,17T (Ref # 12)	13136-054	
SHAFT,DRIVE,10T (Ref # 13)	13127-052	
DRUM ASSY,GEAR SHIFT (Ref # 14)	13239-015	
SCREW PAN HEAD 6X14 (Ref # 15)	220B0614	
WASHER LOCK 6MM (Ref # 16)	464H0600	
HOLDER,CHANGE DRUM (Ref # 17)	13142-014	
PIN,CHANG DRUM (Ref # 18)	92042-029	
FORK,SELECTOR (Ref # 19)	13140-055	
FORK,SELECTOR (Ref # 20)	13140-056	
FORK,SELECTOR,4TH&TOP (Ref # 21)	13140-072	
ROD,CLUTCH RELEASE (Ref # 22)	13209-012	
NUT 18MM (Ref # 23)	92015-019	
WASHER,LOCK,18MM (Ref # 24)	92024-067	
ENGINE SPROCKET 15T (Ref # 25)	13144-050	
ENGINE SPROCKET 14T (Ref # 25)	13144-051	
"O" RING (Ref # 26)	92055-035	
COLLAR-ENG SPROKET (Ref # 27)	92027-163	
SHAFT,OUTPUT (Ref # 28)	13128-039	

1976 KX400-A2 PARTS LIST

TRANSMISSION/CHANGE DRUM

ITEM NAME	PART NUMBER	QUANTITY
2ND GEAR,OUTPUT,23T (Ref # 29)	13131-049	
WASHER (Ref # 30)	92022-253	
CIRCLIP (Ref # 31)	92033-026	
3RD GEAR,OUTPUT SHAFT (Ref # 32)	13133-034	
4TH GEAR,OUTPUT 19T (Ref # 33)	13135-034	
4TH GEAR,OUTPUT 19T (Ref # 33)	13135-034	
TOP GEAR,OUTPUT,18T (Ref # 34)	13137-036	
LOW GEAR,OUTPUT,25T (Ref # 35)	13129-057	
BEARING-NEEDLE,KT2026 (Ref # 36)	92046-1170	
CIRCLIP,19MM (Ref # 37)	480J1900	
IDLE GEAR (Ref # 38)	13073-010	
WASHER-THRUST (Ref # 39)	92022-197	
CIRCLIP 16MM (Ref # 40)	480J1600	
BEARING,NEEDLE,344012 (Ref # 41)	92046-040	