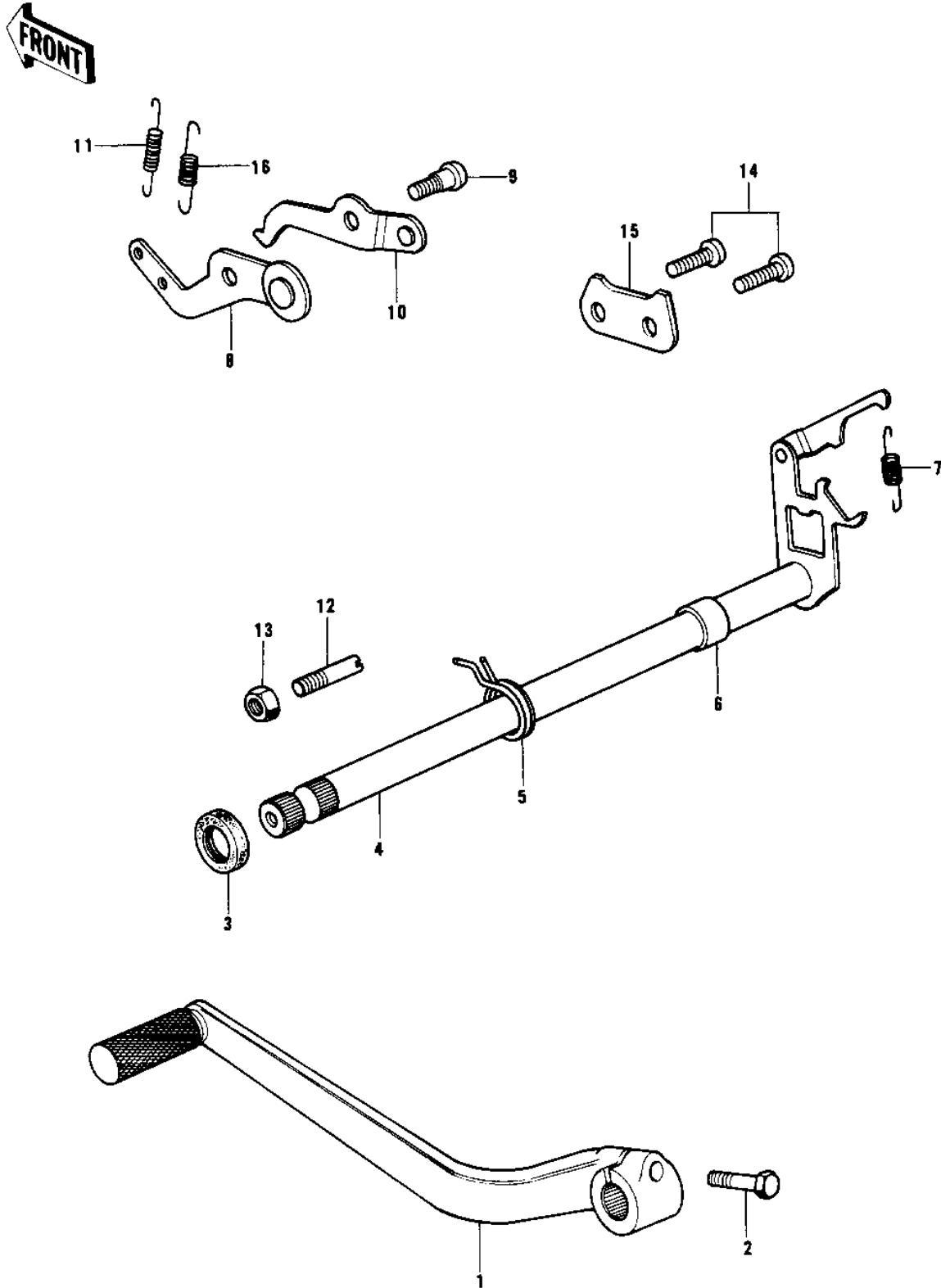


# 1976 KX400-A2 PARTS DIAGRAM

## GEAR CHANGE MECHANISM



## 1976 KX400-A2 PARTS LIST

### GEAR CHANGE MECHANISM

ITEM NAME	PART NUMBER	QUANTITY
PEDAL,GEAR CHANGE (Ref # 1)	13156-061	
BOLT-UPSET,6X20 (Ref # 2)	112G0620	
OIL SEAL,TB13225.5 (Ref # 3)	92051-005	
LEVER ASSY GEAR CHNG (Ref # 4)	13161-031	
SPRING,TENTION (Ref # 5)	92081-1129	
SPRING,TENTION (Ref # 5)	92081-1129	
COLLAR (Ref # 6)	92027-189	
SPRING,CHANGE LEVER (Ref # 7)	92144-1720	
LEVER ASSY,GEAR CHNG (Ref # 8)	13236-008	
SCREW-PAN HEAD (Ref # 9)	92011-023	
LEVER ASSY,GEAR CHNG (Ref # 10)	13236-005	
SPRING (Ref # 11)	92081-119	
BOLT,RETURN SPRING (Ref # 12)	92001-1401	
NUT 8MM (Ref # 13)	312B0800	
SCREW PAN HEAD 6X14 (Ref # 14)	220B0614	
PLATE,CHANGE DRUM (Ref # 15)	13169-012	
SPRING-COIL (Ref # 16)	92081-091	