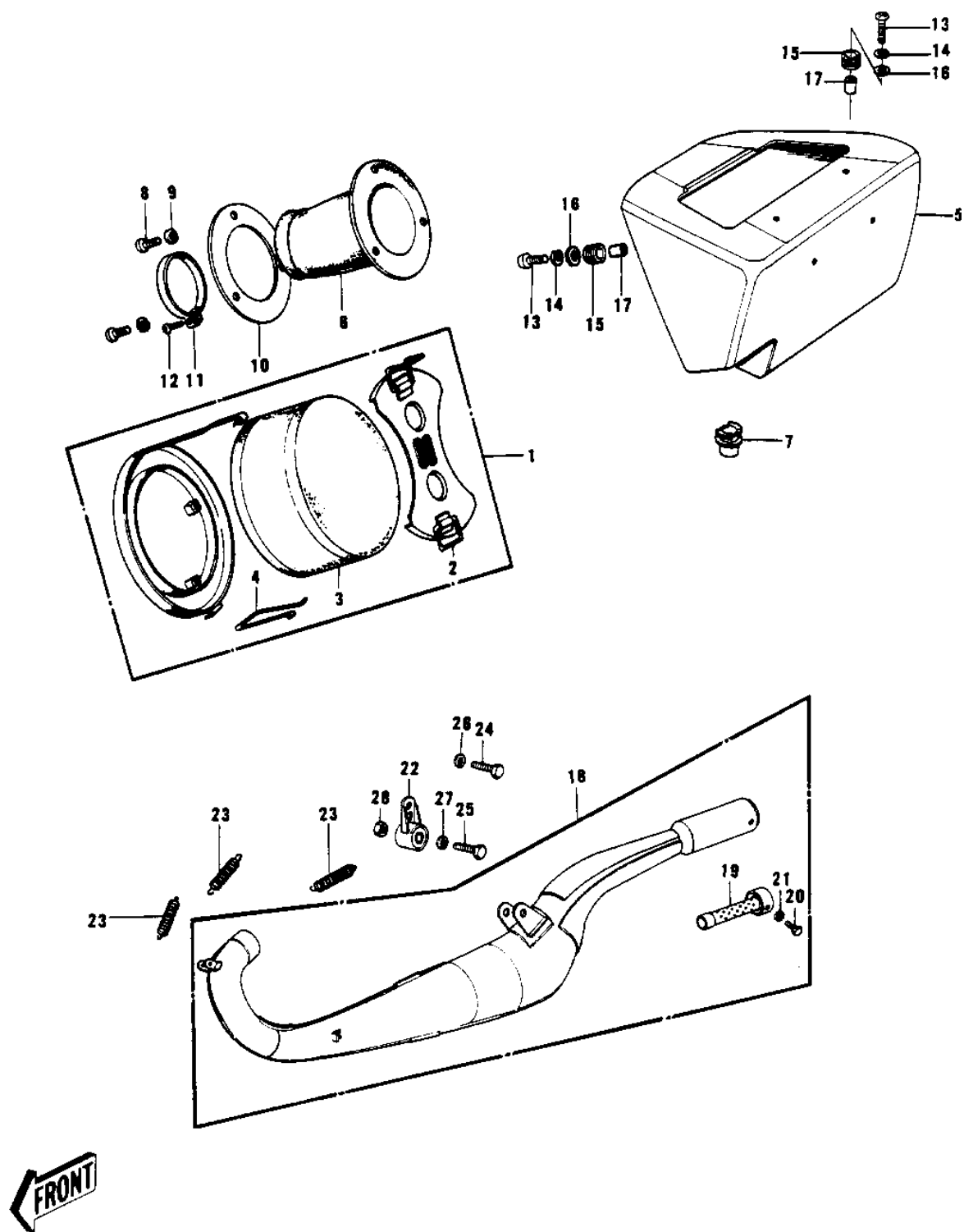


1976 KX400-A2 PARTS DIAGRAM

AIR CLEANER/MUFFLER



1976 KX400-A2 PARTS LIST

AIR CLEANER/MUFFLER

ITEM NAME	PART NUMBER	QUANTITY
AIR CLEANER ASSY (Ref # 1)	11010-073	
CAP,AIR CLEANER (Ref # 2)	11012-040	
ELEMENT,AIR,CLNR (Ref # 3)	11013-043	
FASTNER,AIR CLEANER (Ref # 4)	92079-007	
BODY,AIR CLEANER (Ref # 5)	11011-047	
PIPE,AIR INLET (Ref # 6)	11015-048	
PLUG,AIR CLEANER BODY (Ref # 7)	92067-019	
SCREW PAN HEAD 6X16 (Ref # 8)	220B0616	
WASHER SPRING 6MM (Ref # 9)	461F0600	
HOLDER,AIR CLEANER (Ref # 10)	92095-013	
CLAMP-AIR CLEANER (Ref # 11)	92037-068	
SCREW PAN HEAD 6X35 (Ref # 12)	220B0635	
SCREW PAN HEAD 6X20 (Ref # 13)	220B0620	
BOLT-UPSET,6X20 (Ref # 13)	112G0620	
WASHER SPRING 6MM (Ref # 14)	461F0600	
DAMPER RUBBER (Ref # 15)	92075-076	
WASHER 6.5X20X1.6T (Ref # 16)	92022-125	
COLLAR (Ref # 17)	92027-194	
MUFFLER ASSY,F.BLACK (Ref # 18)	18002-134-21	
BAFFLE TUBE (Ref # 19)	18033-074	
BOLT,6X10 (Ref # 20)	112G0610	
WASHER SPRING 6MM (Ref # 21)	461F0600	
BRACKET,MUFFLER (Ref # 22)	18024-026	
SPRING,MUFFLER (Ref # 23)	18071-006	
BOLT HEX HEAD 8X16 (Ref # 24)	110N0816	
BOLT,HEX HEAD,8X38 (Ref # 25)	110N0838	
WASHER SPRING 8MM (Ref # 26)	461F0800	
WASHER PLAIN 8MM (Ref # 27)	410B0800	
NUT,8MM (Ref # 28)	92019-018	