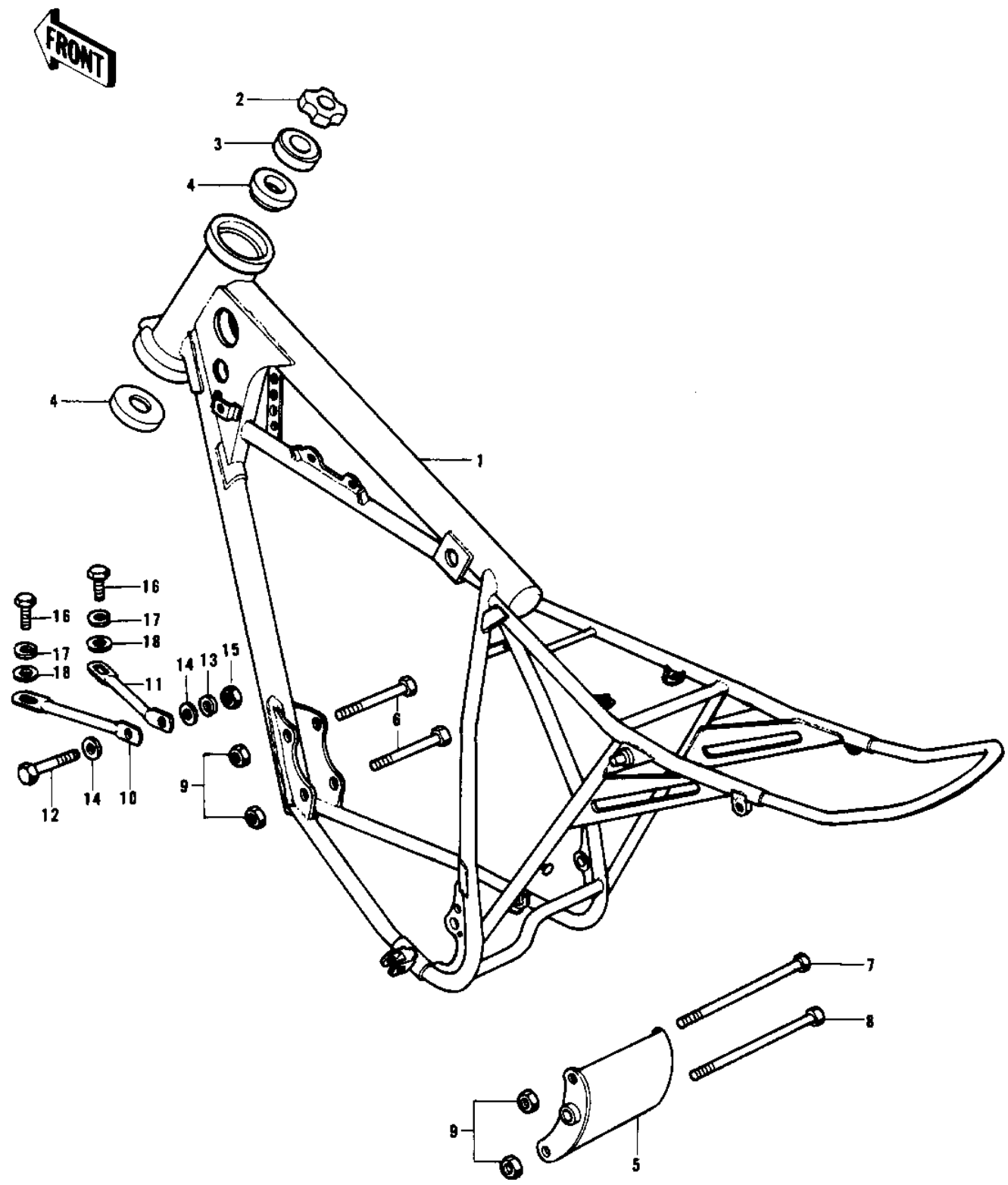


1976 KX400-A2 PARTS DIAGRAM

FRAME/FRAME FITTINGS



1976 KX400-A2 PARTS LIST

FRAME/FRAME FITTINGS

ITEM NAME	PART NUMBER	QUANTITY
FRAME (Ref # 1)	32002-124	
NUT (Ref # 2)	92015-1546	
CAP,STEERING STEM (Ref # 3)	46098-015	
BEARING,STEERING STEM (Ref # 4)	92047-017	
BRACKET,ENGINE MOUNT (Ref # 5)	32117-009	
BOLT,HEX HEAD,10X65 (Ref # 6)	92001-1255	
BOLT,HEX HEAD,10X65 (Ref # 6)	92001-1255	
BOLT, FLANGED, 10X110 (Ref # 7)	92001-1602	
BOLT,FLANGED,10X115 (Ref # 8)	92001-1603	
NUT,10MM (Ref # 9)	92019-016	
PLATE,ENG MOUNT,L.H (Ref # 10)	32030-051	
PLATE,ENG MOUNT,R.H (Ref # 11)	32030-052	
BOLT,10X28 (Ref # 12)	113G1028	
WASHER SPRING 10MM (Ref # 13)	461F1000	
WASHER PLAIN 10MM (Ref # 14)	411B1000	
NUT,10MM (Ref # 15)	314B1000	
BOLT,8X20 (Ref # 16)	115G0820	
WASHER SPRING 8MM (Ref # 17)	461F0800	
WASHER PLAIN 8MM (Ref # 18)	411B0800	