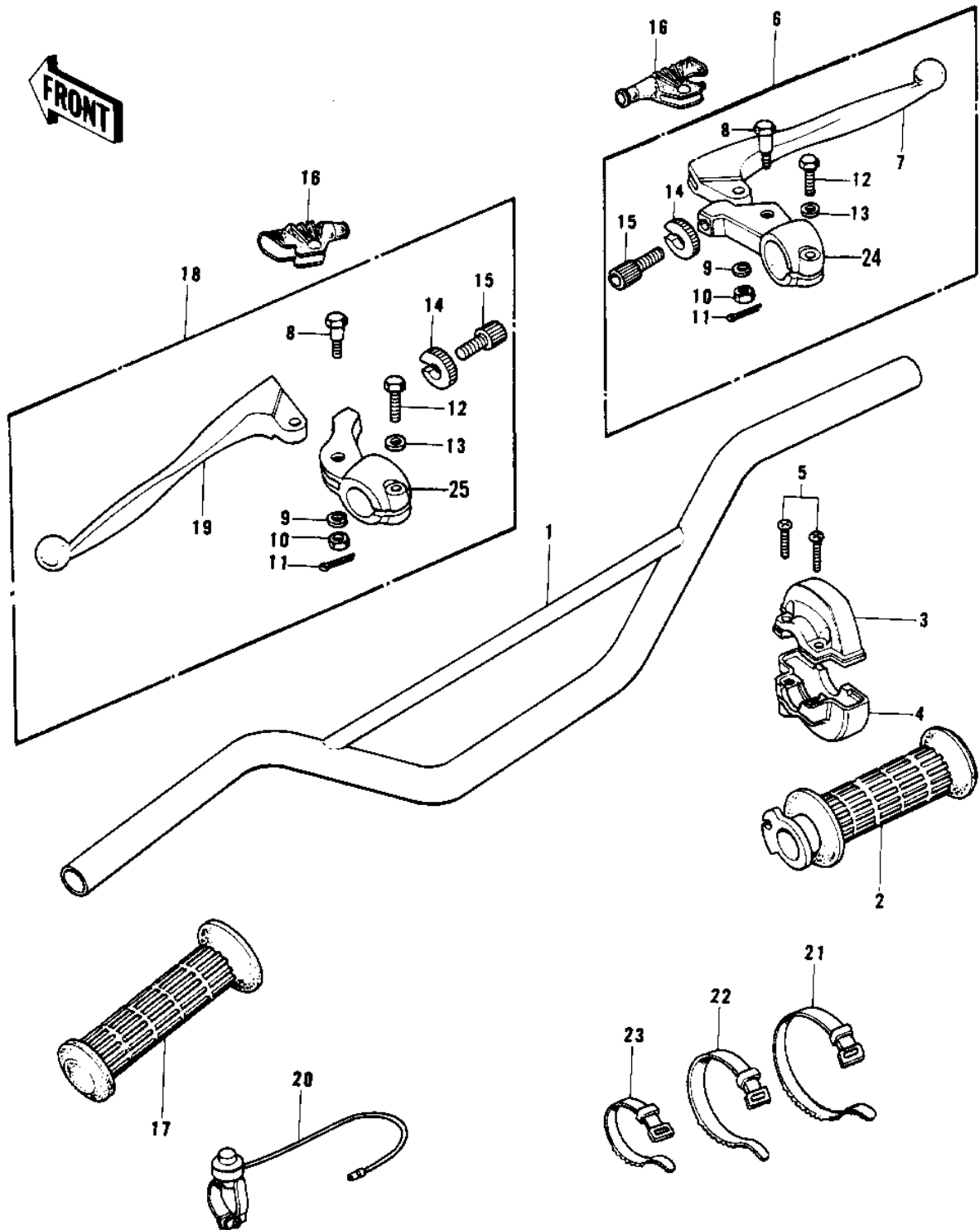


1976 KX400-A2 PARTS DIAGRAM

HANDLEBAR



1976 KX400-A2 PARTS LIST

HANDLEBAR

ITEM NAME	PART NUMBER	QUANTITY
HANDLEBAR (Ref # 1)	46004-032	
GRIP,THROTTLE (Ref # 2)	46019-037	
CASE,R.H,GRIP,UPPER (Ref # 3)	32099-1014	
HOUSING-ASSY-CONTROL (Ref # 4)	46091-5006	
SCREW,5X18 (Ref # 5)	220E0518A	
LEVER ASSY,FRNT BRAKE (Ref # 6)	46021-032	
FRONT BRAKE LEVER (Ref # 7)	46058-018	
BOLT,HEX HEAD,6MM (Ref # 8)	92001-140	
WASHER SPRING 6MM (Ref # 9)	461F0600	
NUT CASTLE (Ref # 10)	320B0600	
PIN COTTER 1.6X15 (Ref # 11)	550D1615	
BOLT, HEX HEAD 6X22 (Ref # 12)	110N0622	
WASHER PLAIN 6MM (Ref # 13)	411B0600	
NUT,CABLE ADJUST LOCK (Ref # 14)	46056-006	
SCREW,CABLE ADJUST (Ref # 15)	46055-009	
BOOTS,LEVER HOLDER (Ref # 16)	49006-1017	
RUBBER,L.H GRIP (Ref # 17)	46075-027	
LEVER ASSY,CLUTCH (Ref # 18)	46076-048	
LEVER, CLUTCH (Ref # 19)	46092-021	
SWITCH,ASSY,ENG STOP (Ref # 20)	27010-1018	
BAND,SHORT (Ref # 21)	92072-030	
BAND,SHORT (Ref # 21)	92072-030	
BAND,MIDDLE (Ref # 22)	92072-031	
BAND,WIRING HARNESS (Ref # 22)	92072-056	
BAND-RUBBER (Ref # 23)	92072-035	
BAND,MIDDLE (Ref # 23)	92072-031	
HOLDER,FR BRAKE LEVER (Ref # 24)	46060-010	
HOLDER,CLUTCH LEVER (Ref # 25)	46094-014	