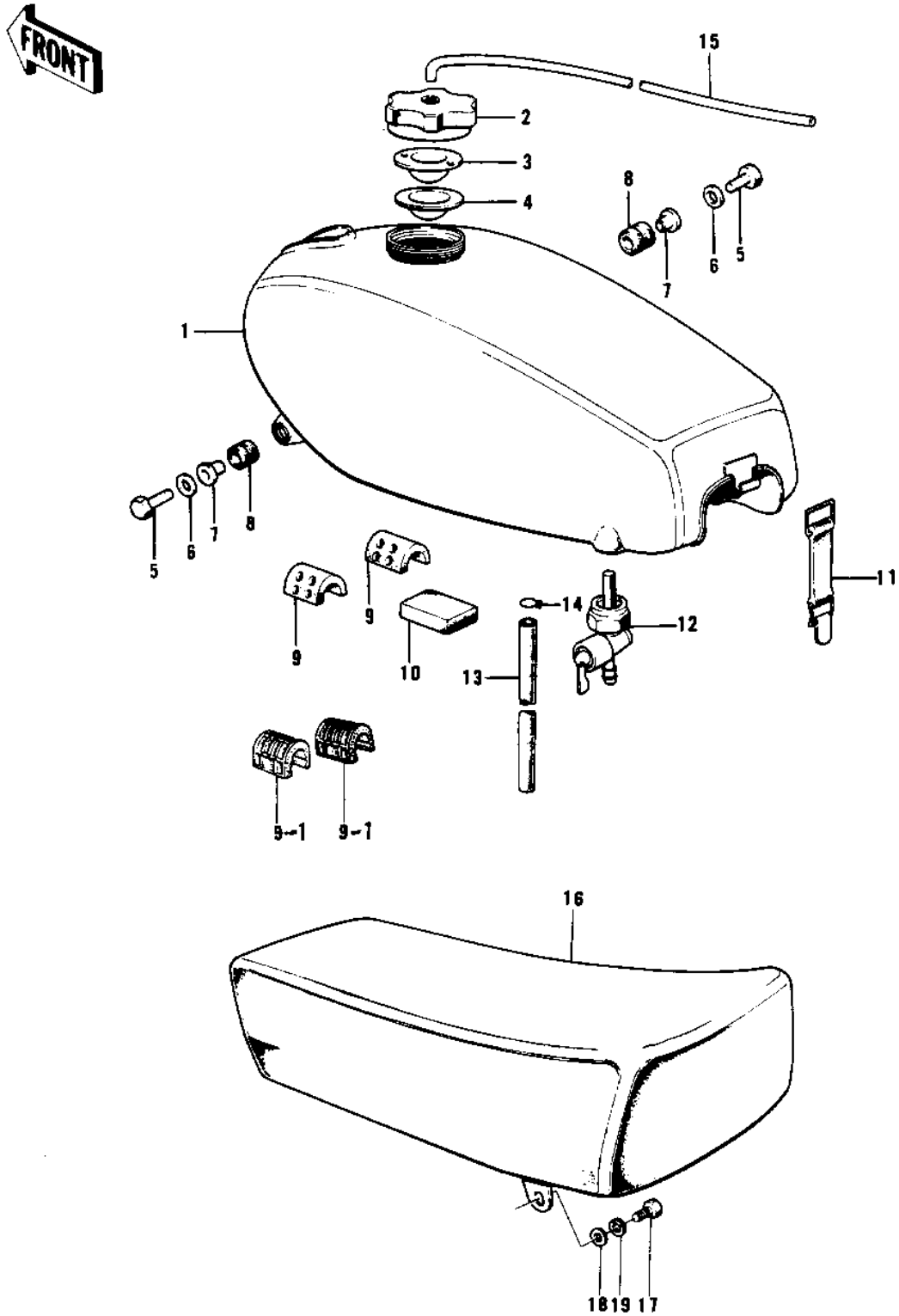


1976 KX400-A2 PARTS DIAGRAM

FUEL TANK/SEAT



1976 KX400-A2 PARTS LIST

FUEL TANK/SEAT

ITEM NAME	PART NUMBER	QUANTITY
TANK-FUEL,LIME GREEN (Ref # 1)	51001-095-2G	
TANK-FUEL,C.LIME (Ref # 1)	51001-095-3X	
CAP,FUEL TANK (Ref # 2)	51049-1002	
CAP,FUEL TANK (Ref # 2)	51049-1002	
WASHER,FUEL TANK CAP (Ref # 3)	51058-004	
GASKET,FUEL TANK CAP (Ref # 4)	51059-012	
BOLT-UPSET (Ref # 5)	112G0630	
WASHER SPRING 6MM (Ref # 6)	461F0600	
COLLAR,FUEL TANK (Ref # 7)	92027-216	
DAMPER RUBBER (Ref # 8)	92075-197	
DAMPER RUBBER (Ref # 9)	92075-198	
DAMPER RUBBER,FL TNK (Ref # 9-1)	92075-215	
MAT FUEL TANK (Ref # 10)	51067-002	
BAND,FUEL TANK (Ref # 11)	92072-076	
BAND,FUEL TANK (Ref # 11)	92072-076	
FUEL COCK ASSY (Ref # 12)	51023-033	
HOSE,FUEL (Ref # 13)	92059-144	
CLAMP-PIPE (Ref # 14)	92037-072	
TUBE-VINYL,5X280 (Ref # 15)	700Q05280	
SEAT-ASSY (Ref # 16)	53001-113	
BOLT HEX HEAD 8X16 (Ref # 17)	110N0816	
WASHER PLAIN 8MM (Ref # 18)	411B0800	
WASHER SPRING 8MM (Ref # 19)	461F0800	