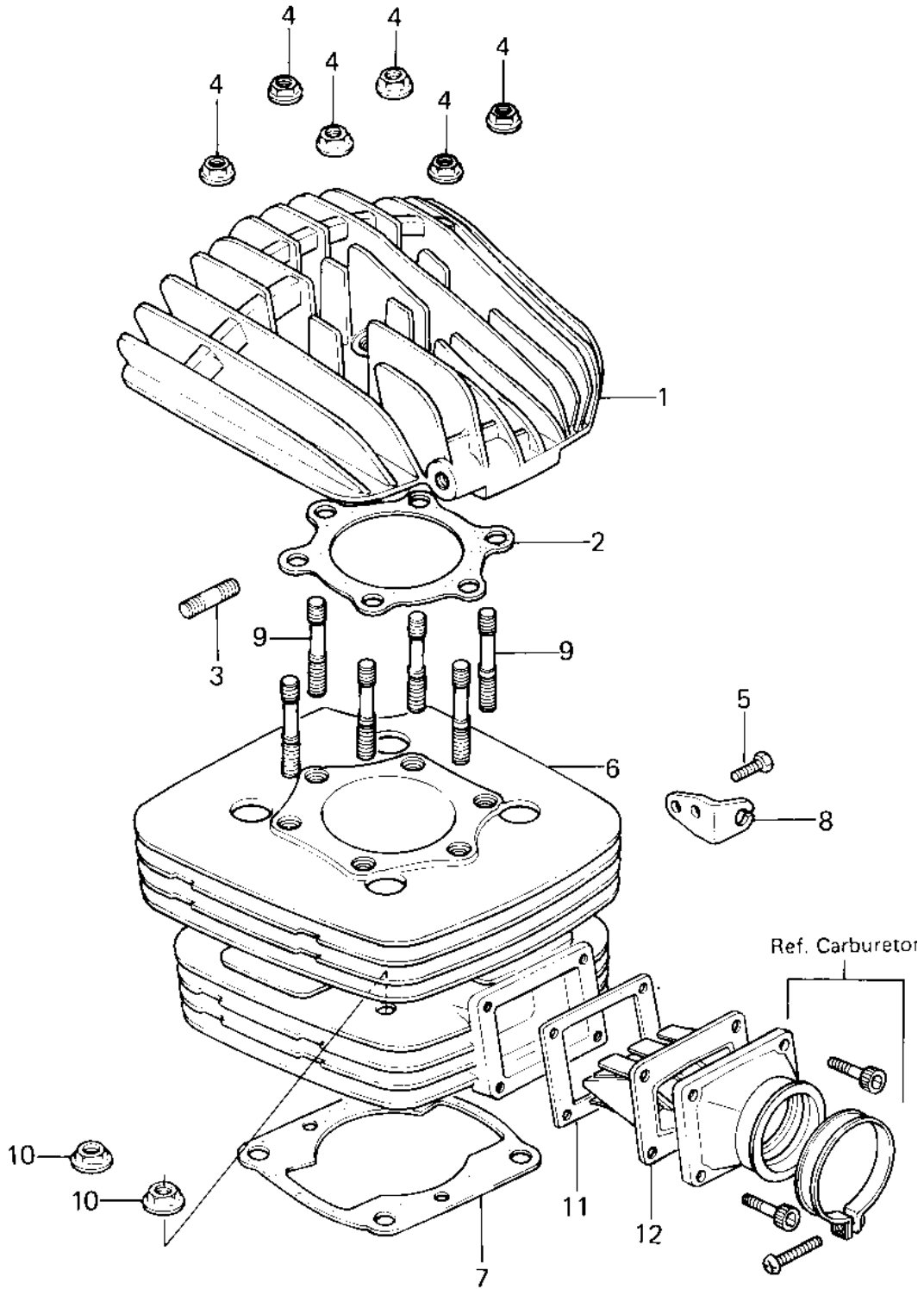


1980 KX420 PARTS DIAGRAM

CYLINDER HEAD/CYLINDER/REED VALVE



1980 KX420 PARTS LIST

CYLINDER HEAD/CYLINDER/REED VALVE

ITEM NAME	PART NUMBER	QUANTITY
HEAD,CYLINDER,F.BLACK (Ref # 1)	11001-1030	1
GASKET,HEAD,CYLINDER (Ref # 2)	11004-1015	1
STUD,10X18 (Ref # 3)	175G1018	1
NUT,8M/M (Ref # 4)	92015-1014	6
BOLT-UPSET (Ref # 5)	112G0618	1
CYLINDER,ELECTRO-FUSE (Ref # 6)	11005-1068	1
GASKET,CYLINDER BASE (Ref # 7)	11009-1130	1
HOLDER (Ref # 8)	13091-1119	1
STUD,CYLINDER (Ref # 9)	92004-1022	6
NUT,10MM (Ref # 10)	92015-1415	4
GASKET,REED VALVE (Ref # 11)	11009-1018	1
VALVE ASSY,REED (Ref # 12)	12021-1007	1