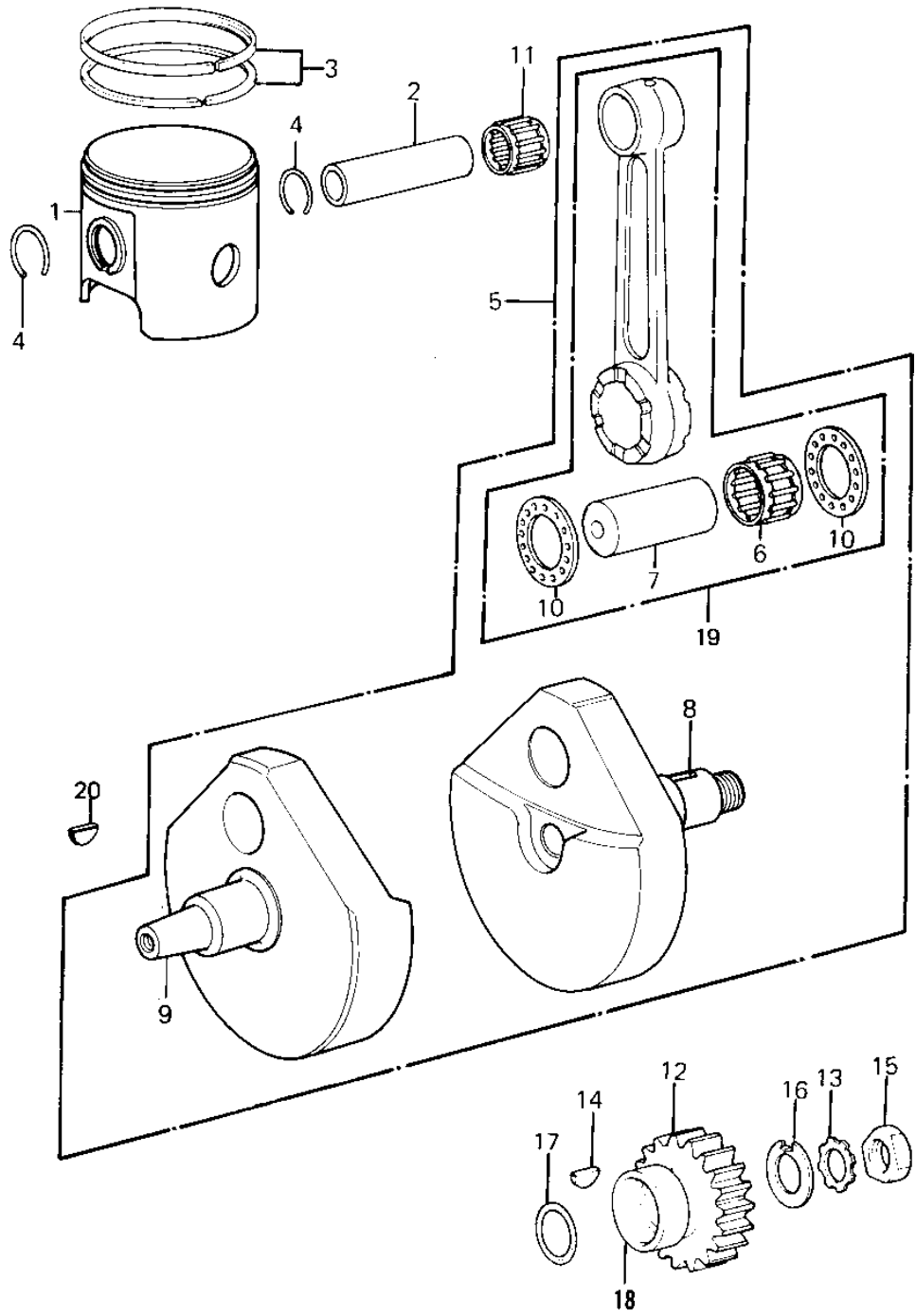


# 1980 KX420 PARTS DIAGRAM

CRANKSHAFT/PISTON



# 1980 KX420 PARTS LIST

## CRANKSHAFT/PISTON

| ITEM NAME                        | PART NUMBER | QUANTITY |
|----------------------------------|-------------|----------|
| PISTON-ENGINE (Ref # 1)          | 13001-1075  | 1        |
| PIN-PISTON (Ref # 2)             | 13002-031   | 1        |
| RING SET,PISTON (Ref # 3)        | 13008-5030  | 1        |
| CIRCLIP PISTON PIN (Ref # 4)     | 92036-008   | 2        |
| CRANKSHAFT ASSY (Ref # 5)        | 13031-1031  | 1        |
| BEARING N,KT263322EGS (Ref # 6)  | 13034-1012  | 1        |
| PIN,CRANK,12X26X62 (Ref # 7)     | 13035-1003  | 1        |
| CRANKSHAFT,R.H. (Ref # 8)        | 13037-1035  | 1        |
| CRANKSHAFT,L.H. (Ref # 9)        | 13037-1061  | 1        |
| WASHER,CONROD SIDE (Ref # 10)    | 92026-093   | 2        |
| BEARING-SMALL END,KTV (Ref # 11) | 13033-1055  | 1        |
| GEAR,PRIMARY,26T (Ref # 12)      | 13097-1019  | 1        |
| GEAR,PRIMARY SPUR (Ref # 12)     | 13097-1046  | 1        |
| WASHER,LOCK,18M/M (Ref # 13)     | 464H1800    | 1        |
| WOODRUFF KEY (Ref # 14)          | 510A5100    | 1        |
| NUT 18MM (Ref # 15)              | 92015-019   | 1        |
| WASHER LOCK 18MM (Ref # 16)      | 92024-015   | 1        |
| "O" RING,30MM (Ref # 17)         | 92055-1047  | 1        |
| COLLAR (Ref # 18)                | 92027-1285  | 1        |
| CONNECTING ROD ASSY (Ref # 19)   | 13044-5011  | 1        |
| WOODRUFF KEY (Ref # 20)          | 92038-001   | 1        |