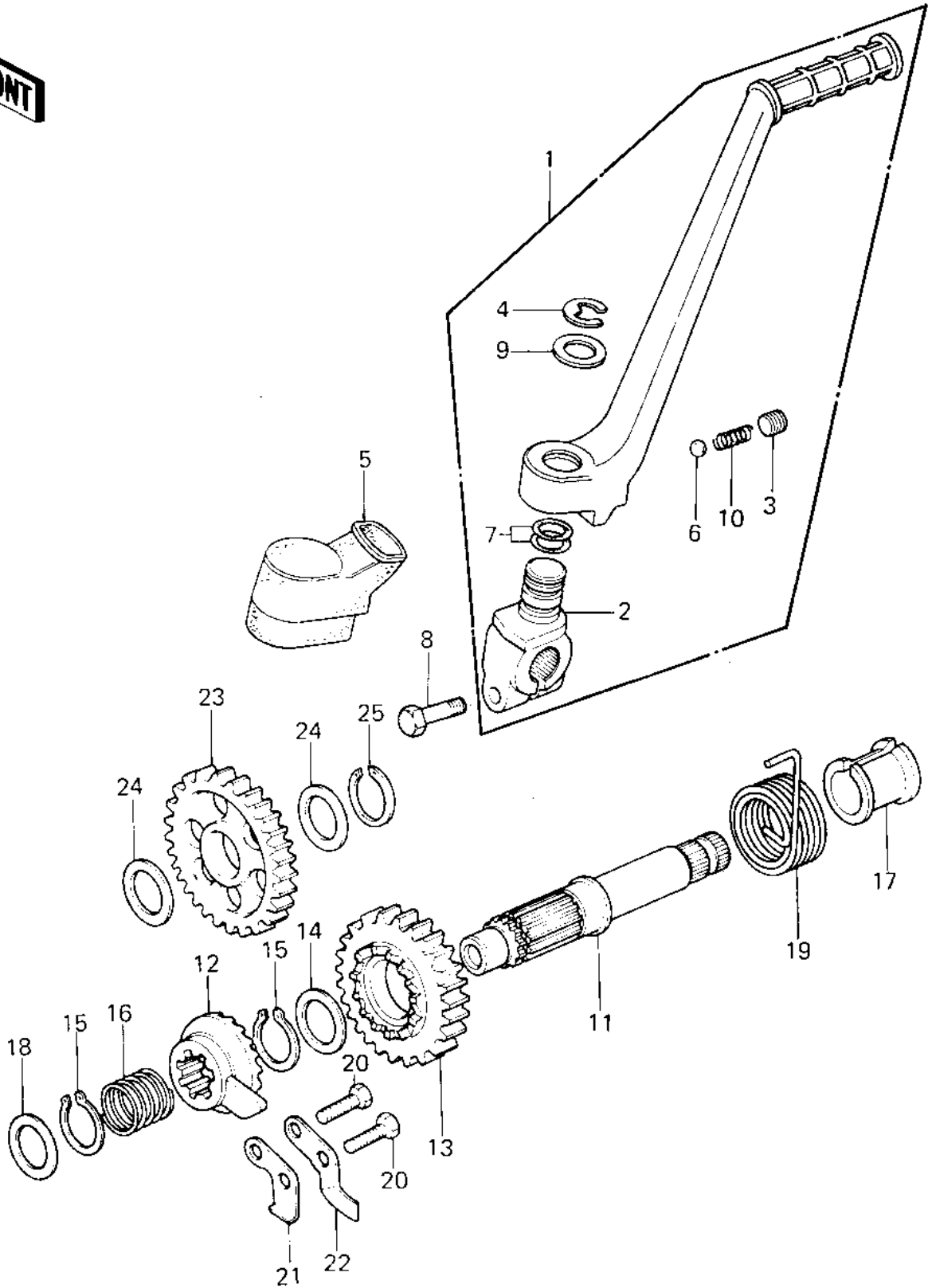


# 1980 KX420 PARTS DIAGRAM

## KICKSTARTER MECHANISM



# 1980 KX420 PARTS LIST

## KICKSTARTER MECHANISM

ITEM NAME	PART NUMBER	QUANTITY
PEDAL ASSY,KICK (Ref # 1)	13064-5003	1
BOSS,KICKSTARTER (Ref # 2)	13061-1007	1
SCREW,8X8 (Ref # 3)	290Q0808	1
CIR CLIP (Ref # 4)	482K0100	1
BOOT,KICKSTARTER (Ref # 5)	49006-1006	1
BALL STEEL 1/4' (Ref # 6)	600A0800	1
"O" RING,15MM (Ref # 7)	670B2015	2
BOLT,HEX HEAD,8X28 (Ref # 8)	92001-1042	1
WASHER,PLAIN (Ref # 9)	92022-1019	1
SPRING KICK PEDAL (Ref # 10)	92081-020	1
SHAFT,KICK (Ref # 11)	13066-1009	1
RATCHET (Ref # 12)	13078-007	1
GEAR,KICKSTARTER,25T (Ref # 13)	59051-1016	1
WASHER-PLAIN 25MM (Ref # 14)	92022-159	1
CIRCLIP (Ref # 15)	92033-026	2
SPRING (Ref # 16)	92081-097	1
GUIDE,KICKSTARTER (Ref # 17)	13070-007	1
WASHER (Ref # 18)	92022-252	1
SPRING-KICKSTARTER (Ref # 19)	92082-003	1
BOLT-UPSET (Ref # 20)	112G0618	2
STOPPER,KICKSTARTER (Ref # 21)	13072-014	1
GUIDE,KICKSTARTER (Ref # 22)	13206-1003	1
GEAR,IDLE,27T (Ref # 23)	59051-1017	1
WASHER (Ref # 24)	92022-252	2
CIRCLIP,18MM (Ref # 25)	92033-029	1