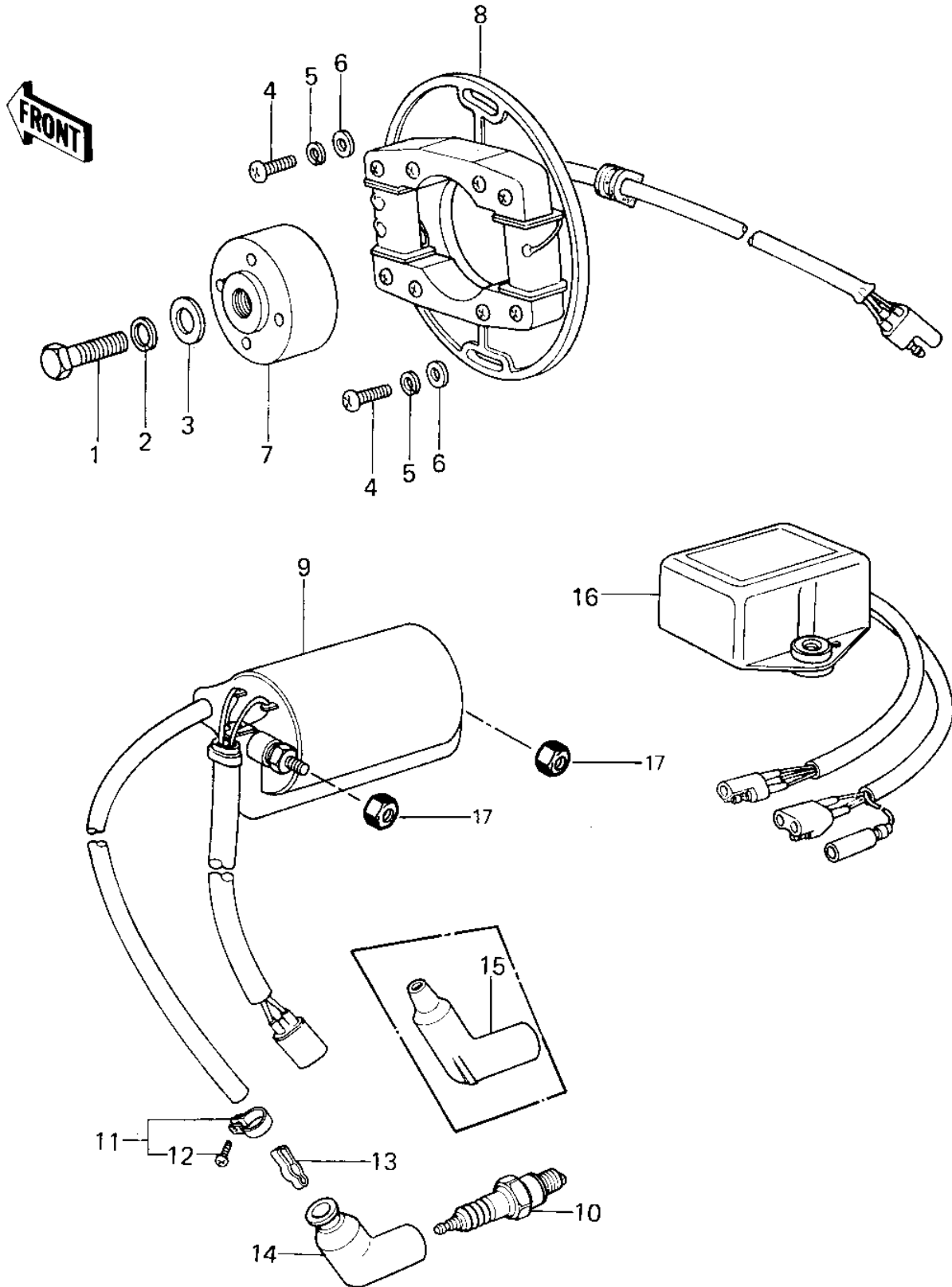


1980 KX420 PARTS DIAGRAM

IGNITION



1980 KX420 PARTS LIST

IGNITION

| ITEM NAME | PART NUMBER | QUANTITY |
|---------------------------------|-------------|----------|
| BOLT (Ref # 1) | 92001-1578 | 1 |
| BOLT,8X40 (Ref # 1) | 115G0840 | 1 |
| WASHER SPRING 8MM (Ref # 2) | 461F0800 | 1 |
| WASHER,PLAIN,8MM (Ref # 3) | 92022-276 | 1 |
| SCREW PAN HEAD 6X25 (Ref # 4) | 220B0625 | 2 |
| WASHER SPRING 6MM (Ref # 5) | 461F0600 | 2 |
| WASHER PLAIN 6MM (Ref # 6) | 410B0600 | 2 |
| ROTOR,MAGNETO (Ref # 7) | 21007-026 | 1 |
| STATOR ASSY (Ref # 8) | 21003-1010 | 1 |
| COIL,IGNITION (Ref # 9) | 21121-1007 | 1 |
| SPARK PLUG B9EV (Ref # 10) | B9EV | 1 |
| SPARK PLUG BR9EV (Ref # 10) | 92070-3002 | 1 |
| CLAMP,SPARK PLUG CAP (Ref # 11) | 92037-1173 | 1 |
| SCREW-PAN-CROS (Ref # 12) | 220B0310 | 1 |
| TERMINAL,PLUG CAP (Ref # 13) | 21169-001 | 1 |
| CAP,SPARK PLUG (Ref # 14) | 21130-1006 | 1 |
| CAP ASSY,SPARK PLUG (Ref # 15) | 21160-1009 | 1 |
| IGNITION UNIT (Ref # 16) | 21119-1001 | 1 |
| NUT (Ref # 17) | 92019-008 | 2 |