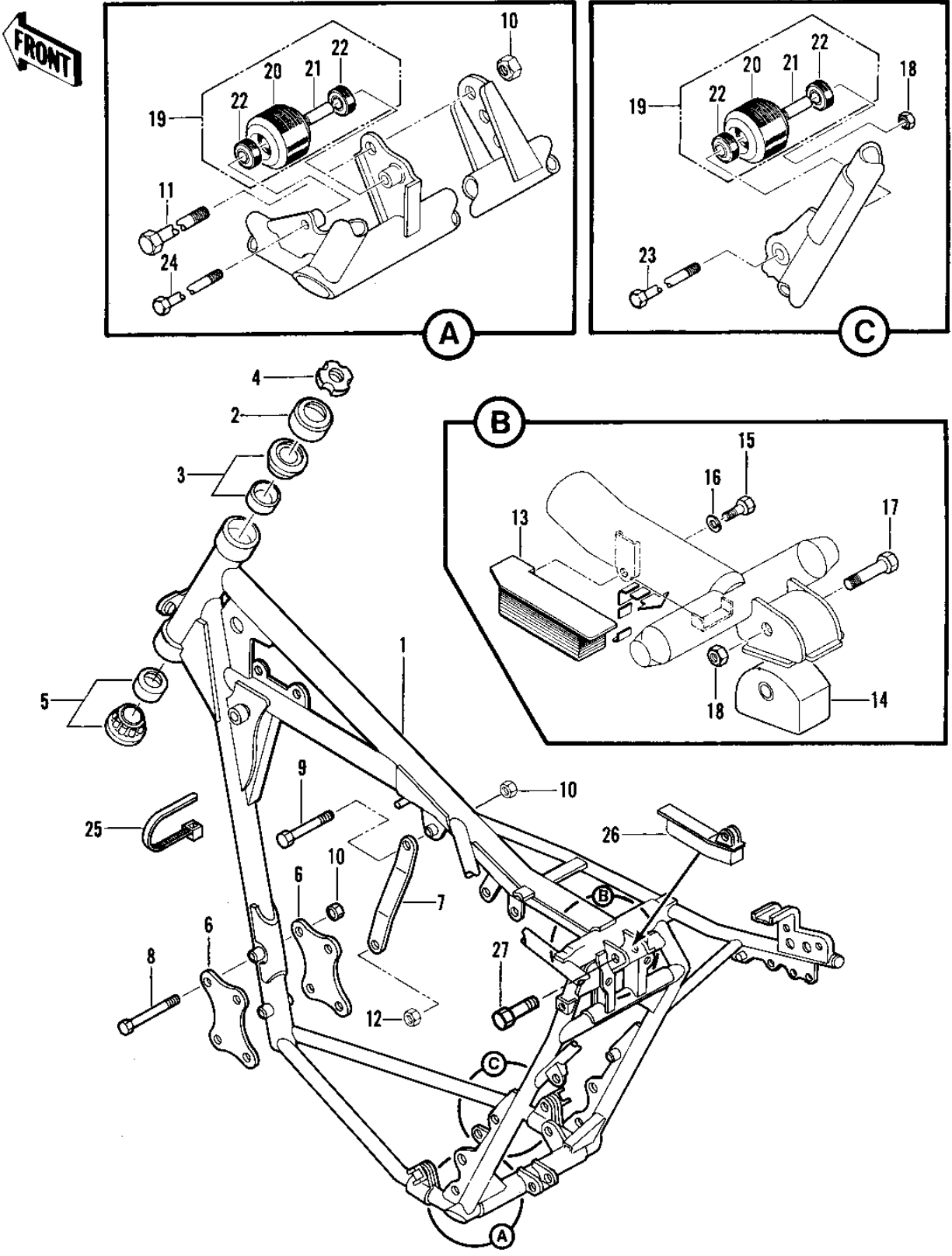


1980 KX420 PARTS DIAGRAM

FRAME/FRAME FITTINGS (KX420-A1)



1980 KX420 PARTS LIST

FRAME/FRAME FITTINGS (KX420-A1)

| ITEM NAME | PART NUMBER | QUANTITY |
|----------------------------------|-------------|----------|
| FRAME (Ref # 1) | 32002-1231 | 1 |
| FRAME (Ref # 1) | 32002-1231 | 1 |
| CAP,STEERING STEM (Ref # 2) | 46098-015 | 1 |
| BEARING,STEERING STEM (Ref # 3) | 92047-017 | 1 |
| NUT (Ref # 4) | 92015-1546 | 1 |
| BEARING,ROLLER,32006 (Ref # 5) | 92116-1008 | 1 |
| BRACKET,ENGINE (Ref # 6) | 32029-1116 | 2 |
| BRACKET,ENGINE (Ref # 7) | 32029-4010 | 1 |
| BOLT HEX HEAD,10X66.5 (Ref # 8) | 92001-1033 | 4 |
| BOLT (Ref # 9) | 92001-1412 | 1 |
| NUT,LOCK,10MM (Ref # 10) | 92019-021 | 6 |
| BOLT,HEX HEAD,10X127 (Ref # 11) | 92001-4001 | 1 |
| NUT,10MM (Ref # 12) | 92015-1415 | 1 |
| DAMPER,REAR SHOCK (Ref # 13) | 92075-1249 | 1 |
| DAMPER UNITRAK (Ref # 14) | 92075-4025 | 1 |
| BOLT SMALL (Ref # 15) | 114G0812 | 1 |
| WASHER SPRING 8MM (Ref # 16) | 461F0800 | 1 |
| BOLT,8X40 (Ref # 17) | 115G0840 | 1 |
| NUT,LOCK,8MM (Ref # 18) | 92015-1124 | 2 |
| ROLLER,ASSY (Ref # 19) | 92122-1013 | 2 |
| ROLLER (Ref # 20) | 92122-1014 | 2 |
| ROLLER (Ref # 20) | 92122-1014 | 2 |
| COLLAR (Ref # 21) | 92027-1081 | 2 |
| BEARING,BALL (Ref # 22) | 92045-1009 | 4 |
| BEARING,BALL (Ref # 22) | 92045-1009 | 4 |
| BOLT-SMALL-UPSET,8X55 (Ref # 23) | 115G0855 | 1 |
| BOLT HEX HEAD 8X70 (Ref # 24) | 114B0870 | 1 |
| BAND (Ref # 25) | 92072-3509 | 3 |
| DAMPER,RUBBER (Ref # 26) | 92075-1280 | 1 |