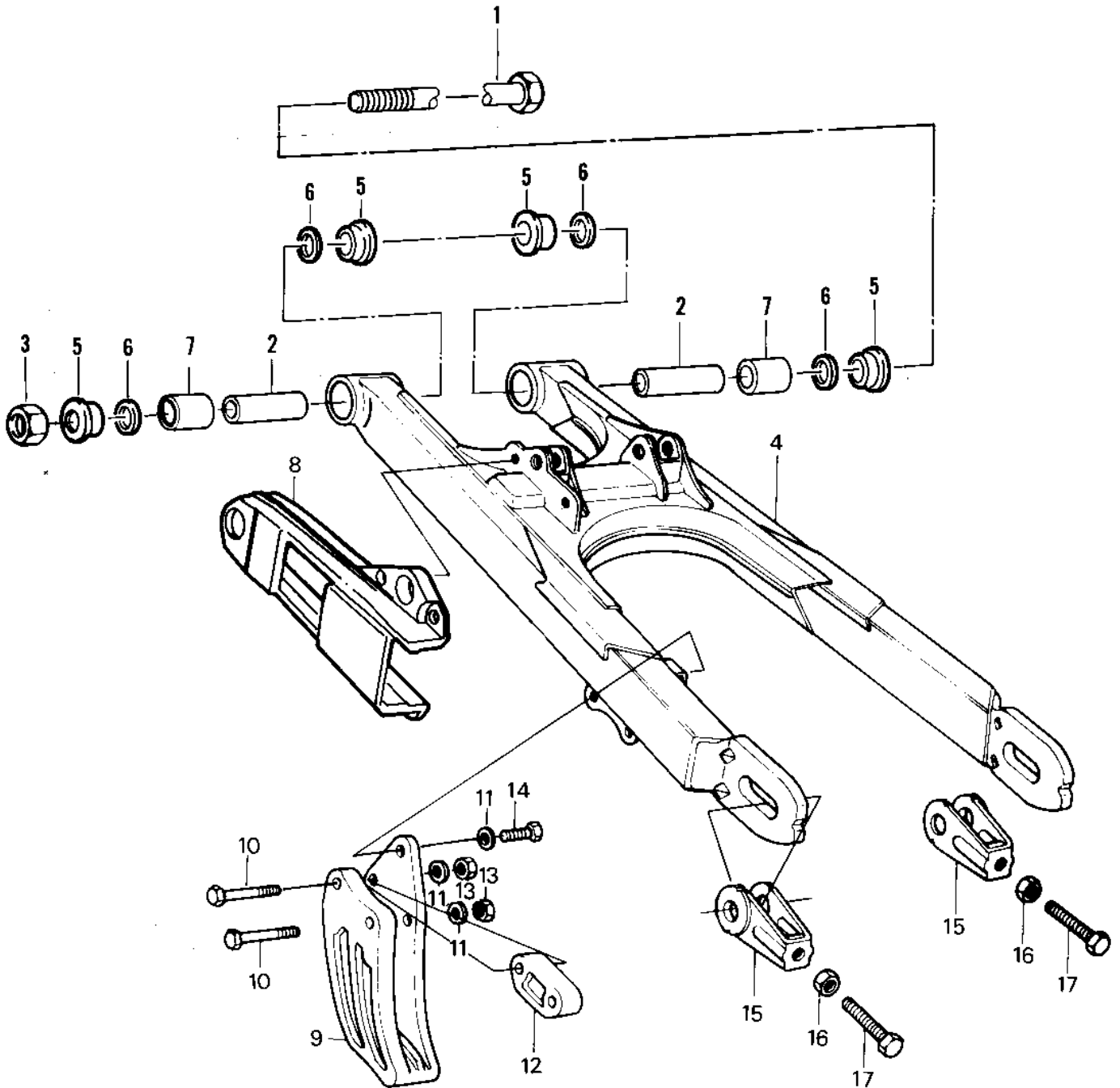


# 1980 KX420 PARTS DIAGRAM

SWING ARM (KX420-A1)



# 1980 KX420 PARTS LIST

## SWING ARM (KX420-A1)

ITEM NAME	PART NUMBER	QUANTITY
SHAFT-SWING ARM (Ref # 1)	33032-1020	1
SLEEVE,SWING ARM (Ref # 2)	42036-1031	2
NUT-LOCK,14MM (Ref # 3)	92019-011	1
ARM,SWING (Ref # 4)	33001-1043	1
CAP,SWING ARM (Ref # 5)	11012-1099	4
SHIM,SWING ARM (Ref # 6)	92025-1116	4
BUSHING (Ref # 7)	92028-1072	2
GUIDE,CHAIN,FRONT (Ref # 8)	12053-1046	1
GUARD,CHAIN (Ref # 9)	55020-1038	1
BOLT-UPSET (Ref # 10)	112G0660	2
WASHER 6.5X20X1.6T (Ref # 11)	92022-125	3
GUIDE,CHAIN,REAR (Ref # 12)	12053-1039	1
NUT (Ref # 13)	92019-008	2
BOLT-UPSET,6X20 (Ref # 14)	112G0620	1
ADJUSTER,CHAIN (Ref # 15)	33040-1012	2
NUT,8MM (Ref # 16)	312G0800	2
BOLT,CHAIN ADJUSTER (Ref # 17)	92001-1027	2