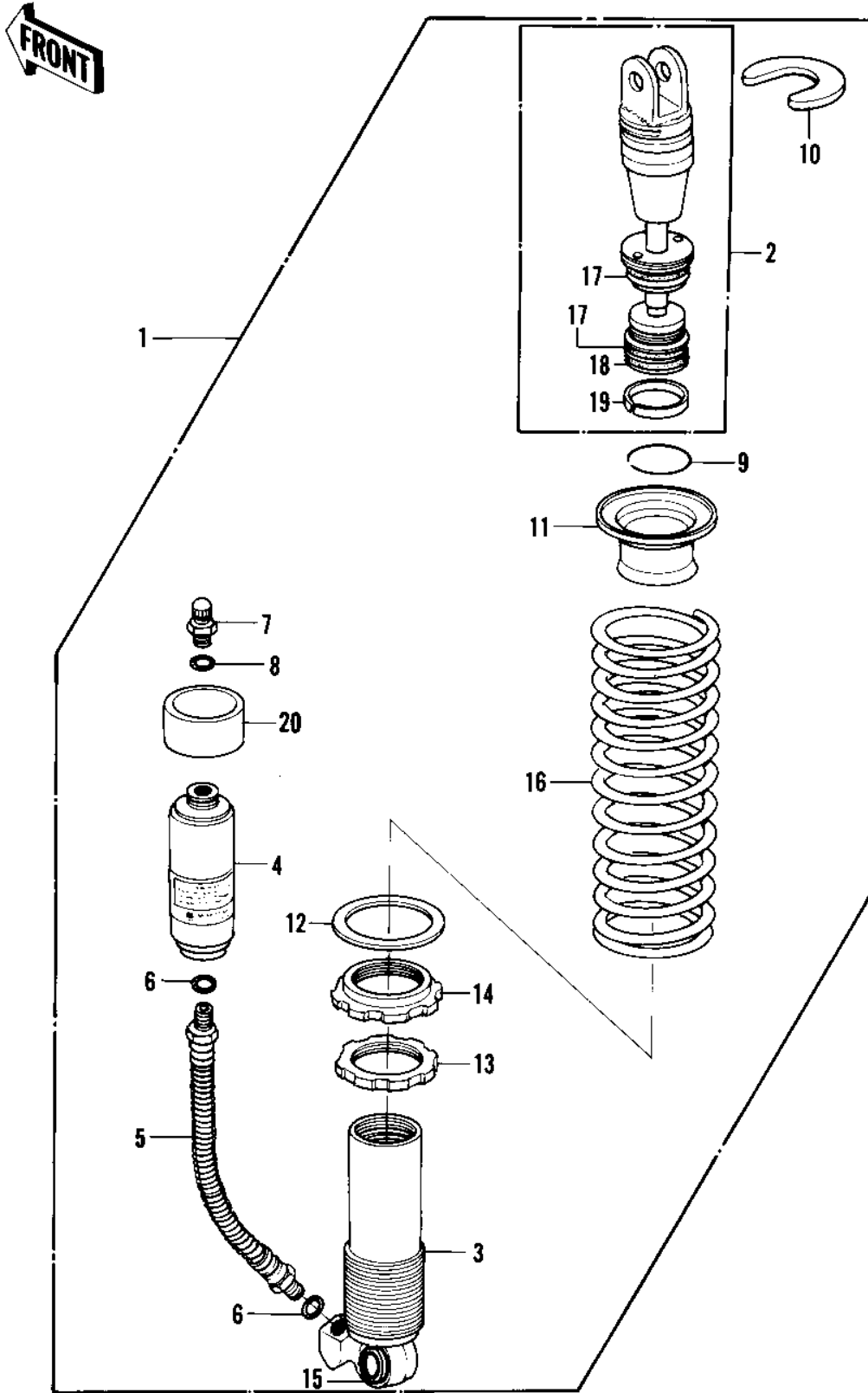


# 1980 KX420 PARTS DIAGRAM

SHOCK ABSORBER (KX420-A2)

F2280-0001



# 1980 KX420 PARTS LIST

## SHOCK ABSORBER (KX420-A2)

ITEM NAME	PART NUMBER	QUANTITY
SHOCK ABSBR RR (Ref # 1)	45014-1116	1
ROD,SHOCKABSORBER (Ref # 2)	46102-1028	1
CYLINDER-SHOCKABSORBE (Ref # 3)	43089-1022	1
TANK-OIL,SHOCKABSORBR (Ref # 4)	52001-1012	1
PIPE-COMP-SUSP (Ref # 5)	39093-1053	1
"O" RING (Ref # 6)	92055-1099	2
VALVE ASSY,AIR (Ref # 7)	16126-1003	1
"O" RING,AIR VALVE (Ref # 8)	92055-1018	1
RING-SNAP,AIR VALVE (Ref # 9)	92033-1061	1
GUIDE,SPRING (Ref # 10)	13070-1041	1
GUIDE,SPRING (Ref # 11)	13070-1042	1
WASHER,SPRING (Ref # 12)	92022-1235	1
NUT,SPRING ADJUST (Ref # 13)	92015-1139	1
NUT,SPRING ADJUST (Ref # 14)	92015-1140	1
BUSHING-RUBBER,SHOCKA (Ref # 15)	92092-1008	1
SPRING,RR SHOCK,STD (Ref # 16)	92081-1372	1
SPRING (Ref # 16)	92081-1320	(1
SPRING (Ref # 16)	92081-1322	(1
"O" RING,REAR SHOCK (Ref # 17)	92055-1102	2
"O" RING,REAR SHOCK (Ref # 18)	92055-1103	1
BUSHING,REAR SHOCK (Ref # 19)	92028-1127	1
GUARD,AIR TANK (Ref # 20)	55020-1044	1