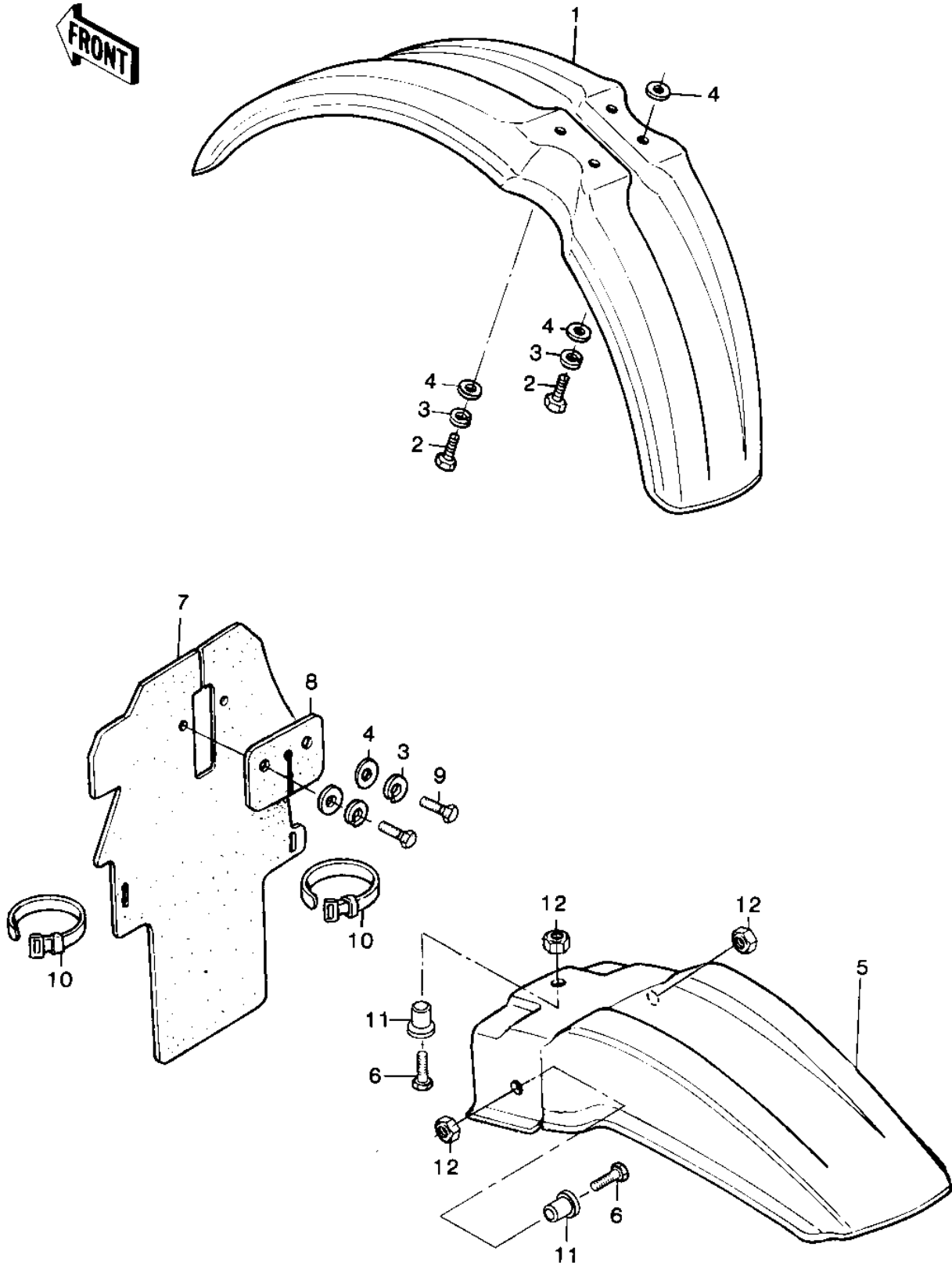


1980 KX420 PARTS DIAGRAM

FENDERS



1980 KX420 PARTS LIST

FENDERS

ITEM NAME	PART NUMBER	QUANTITY
FENDER-FRONT,L.GREEN (Ref # 1)	35004-1233-6W	1
FENDER-FRONT,L.GREEN (Ref # 1)	35004-1233-6W	1
BOLT-UPSET (Ref # 2)	112G0618	4
BOLT-UPSET,6X16 (Ref # 2)	112G0616	4
WASHER SPRING 6MM (Ref # 3)	461F0600	6
WASHER 6.5X20X1.6T (Ref # 4)	92022-125	10
FENDER-RR,L.GREEN (Ref # 5)	35022-1043-6W	1
FENDER-RR,L.GREEN (Ref # 5)	35022-1043-6W	1
BOLT-UPSET,6X12 (Ref # 6)	112G0612	3
BOLT-UPSET 6X14 (Ref # 6)	112B0614	3
FLAP (Ref # 7)	35019-1013	1
FLAP,REAR FENDER (Ref # 8)	35019-1019	1
BOLT-UPSET,6X12 (Ref # 9)	112G0612	2
BAND (Ref # 10)	92072-3505	2
COLLAR (Ref # 11)	92027-1260	3
NUT (Ref # 12)	92019-008	3