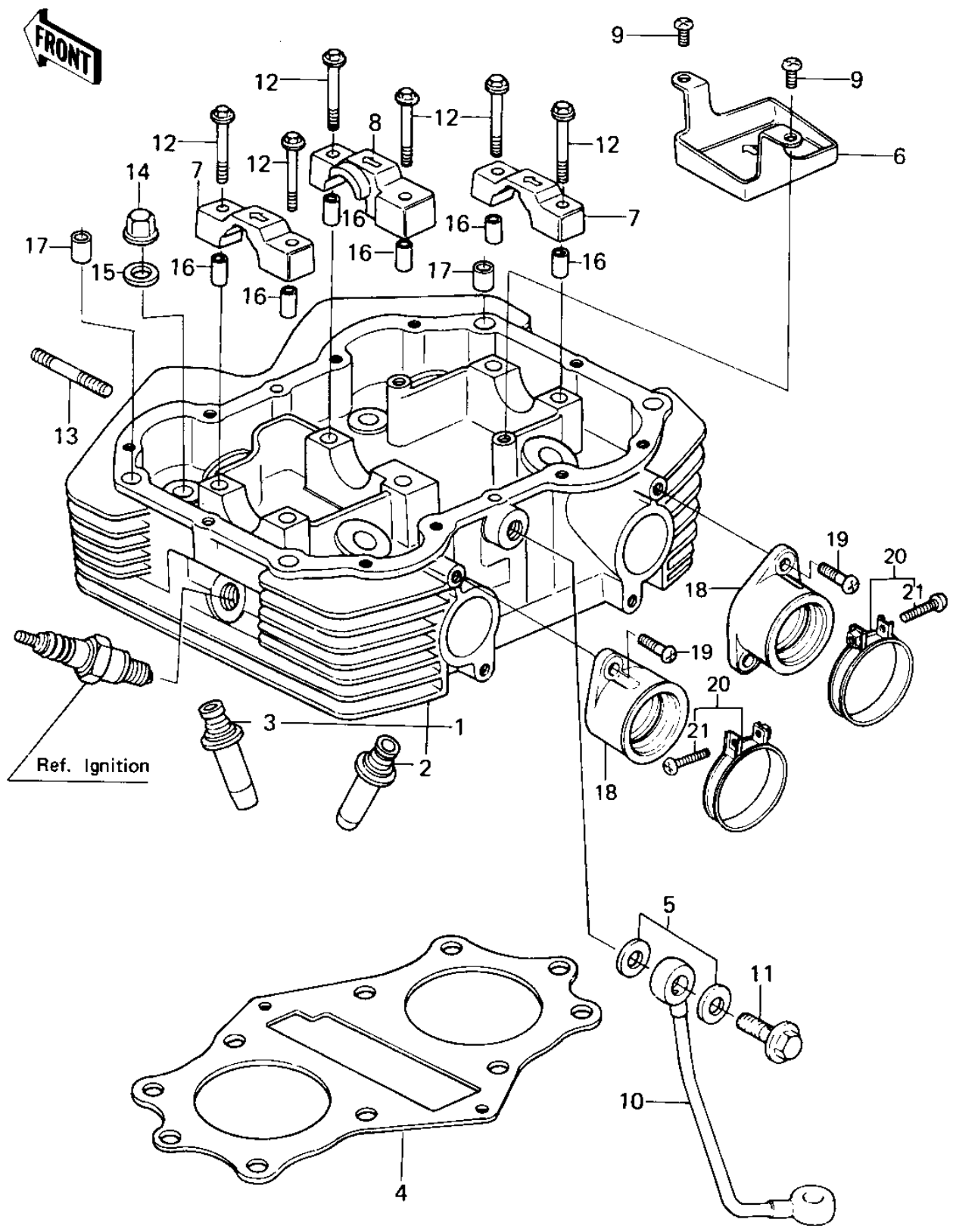


1980 KZ440-B1 PARTS DIAGRAM

CYLINDER HEAD ('80 B1)



1980 KZ440-B1 PARTS LIST

CYLINDER HEAD ('80 B1)

ITEM NAME	PART NUMBER	QUANTITY
HEAD-COMP-CYLINDER,SI (Ref # 1)	11008-1034	1
GUIDE,INLET VALVE (Ref # 2)	12013-003	2
GUIDE,EXHAUST VALVE (Ref # 3)	49002-1010	2
GASKET,CYLINDER HEAD (Ref # 4)	11004-1020	1
GASKET,10X14.5X1.5 (Ref # 5)	11009-1105	2
CAP,CYLINDER HEAD OIL (Ref # 6)	11012-1027	1
CAP,BRG,HEAD,L.H&R.H (Ref # 7)	14022-1002	2
CAP,BRG.HEAD,CENTER (Ref # 8)	14022-1003	1
SCREW PAN HEAD 6X10 (Ref # 9)	220B0610	2
PIPE,OIL (Ref # 10)	32032-1084	1
BOLT,BANJO,10X25 (Ref # 11)	92001-1017	1
BOLT,FLANGED,6X38 (Ref # 12)	92001-1105	6
STUD,6X46 (Ref # 13)	92004-049	4
NUT,CYLINDER HEAD (Ref # 14)	92015-076	8
WASHER,10.5X22X1.6 (Ref # 15)	92022-1005	8
PIN-DOWEL (Ref # 16)	92042-007	6
PIN,DOWEL,10X8.2X14 (Ref # 17)	92043-1037	2
HOLDER,CARBURETOR (Ref # 18)	16065-1027	2
SCREW PAN HEAD 6X18 (Ref # 19)	220B0618	4
CLAMP,53M/M (Ref # 20)	92037-201	2
SCREW-PAN-CROS,5X25 (Ref # 21)	220B0525	2