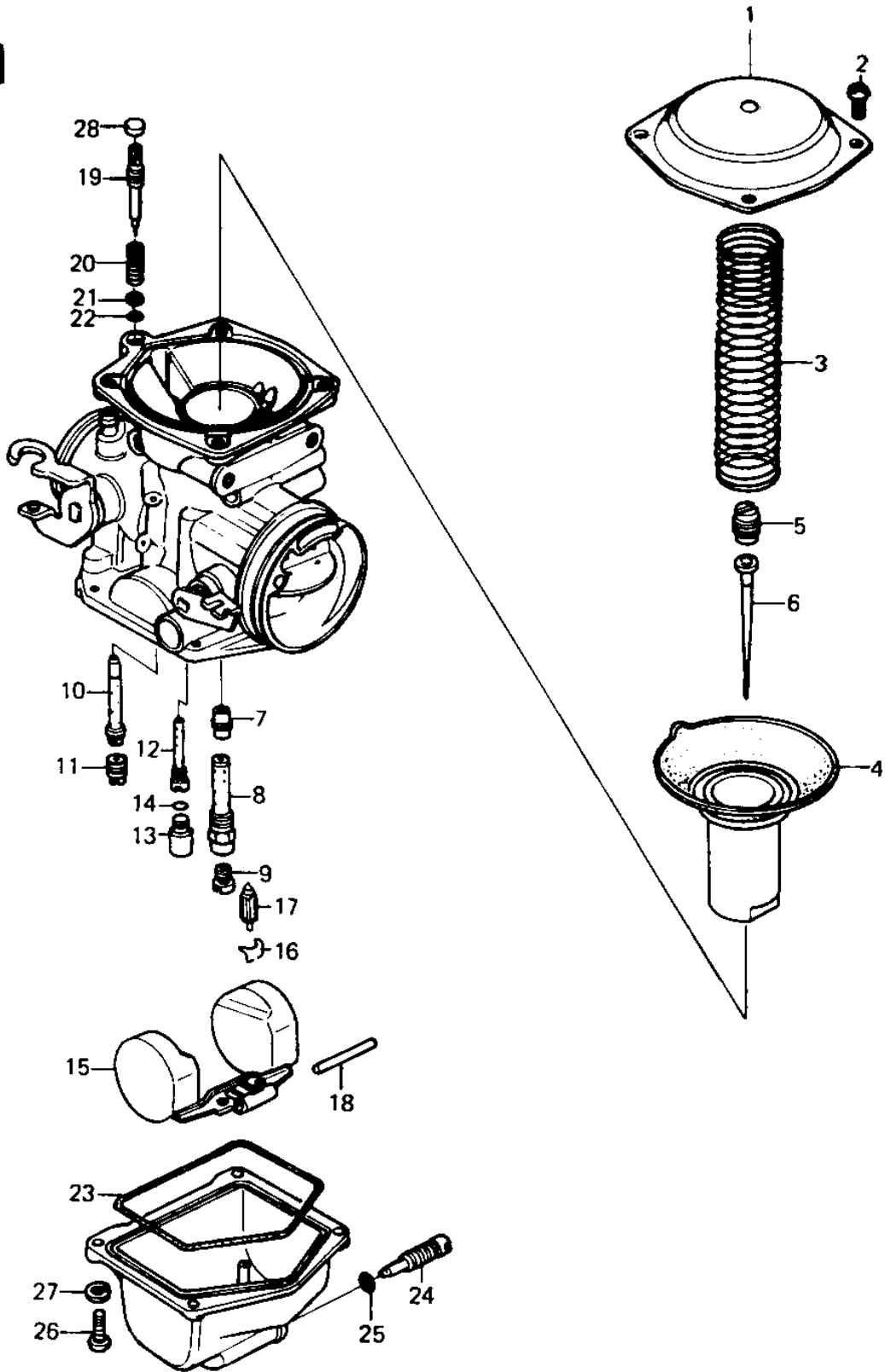


# 1980 KZ440-B1 PARTS DIAGRAM

## CARBURETOR PARTS ('80 B1)



# 1980 KZ440-B1 PARTS LIST

## CARBURETOR PARTS ('80 B1)

ITEM NAME	PART NUMBER	QUANTITY
TOP,MIXING CHAMBER (Ref # 1)	16005-1012	2
SCREW PAN HEAD 4X8 (Ref # 2)	220B0408	8
SPRING (Ref # 3)	92081-1257	2
VALVE,VACUUM (Ref # 4)	16126-1044	2
SCREW,NEEDLE SET (Ref # 5)	16007-1022	2
JET NEEDLE,#N03A (Ref # 6)	16009-1065	2
NEEDLE JET (Ref # 7)	16017-1059	2
HOLDER,NEEDLE JET (Ref # 8)	13091-1050	2
MAIN JET,2ND,#90 (Ref # 9)	92063-1003	2
MAIN JET,2ND,#85 (Ref # 9)	92063-1023	(2
MAIN JET,2ND #88 (Ref # 9)	92063-1024	(2
MAIN JET,#92,2ND (Ref # 9)	92063-1004	(2
MAIN JET,2ND,#95 (Ref # 9)	92063-1001	(2
NOZZLE,MAIN (Ref # 10)	92062-1001	2
MAIN JET,PRI,#68 (Ref # 11)	92063-1050	2
PILOT JET,#35 (Ref # 12)	92064-1001	2
CAP,POLYESTER (Ref # 13)	11012-1128	2
"O" RING (Ref # 14)	92055-1088	2
FLOAT (Ref # 15)	16031-1001	2
CLIP,FLOAT VALVE (Ref # 16)	16044-007	2
FLOAT VALVE (Ref # 17)	16030-1007	2
FLOAT PIN (Ref # 18)	92043-1002	2
SCREW,PILOT ADJUST (Ref # 19)	16014-1011	2
SPRING,PIROT ADJ SCRW (Ref # 20)	92081-1002	2
WASHER,PLAIN (Ref # 21)	92022-1003	2
O RING,PILOT ADJ (Ref # 22)	92055-1002	2
"O" RING,FLOAT BALL (Ref # 23)	16019-024	2
SCREW,DRAIN (Ref # 24)	92009-1095	2
"O" RING,DRAIN SCREW (Ref # 25)	92055-1053	2

# 1980 KZ440-B1 PARTS LIST

## CARBURETOR PARTS ('80 B1)

ITEM NAME	PART NUMBER	QUANTITY
SCREW-PAN-CRROSS,4X12 (Ref # 26)	220B0412	8
WASHER SPRING 4MM (Ref # 27)	461F0400	8
PLUG,PILOT SCREW (Ref # 28)	92066-1051	1