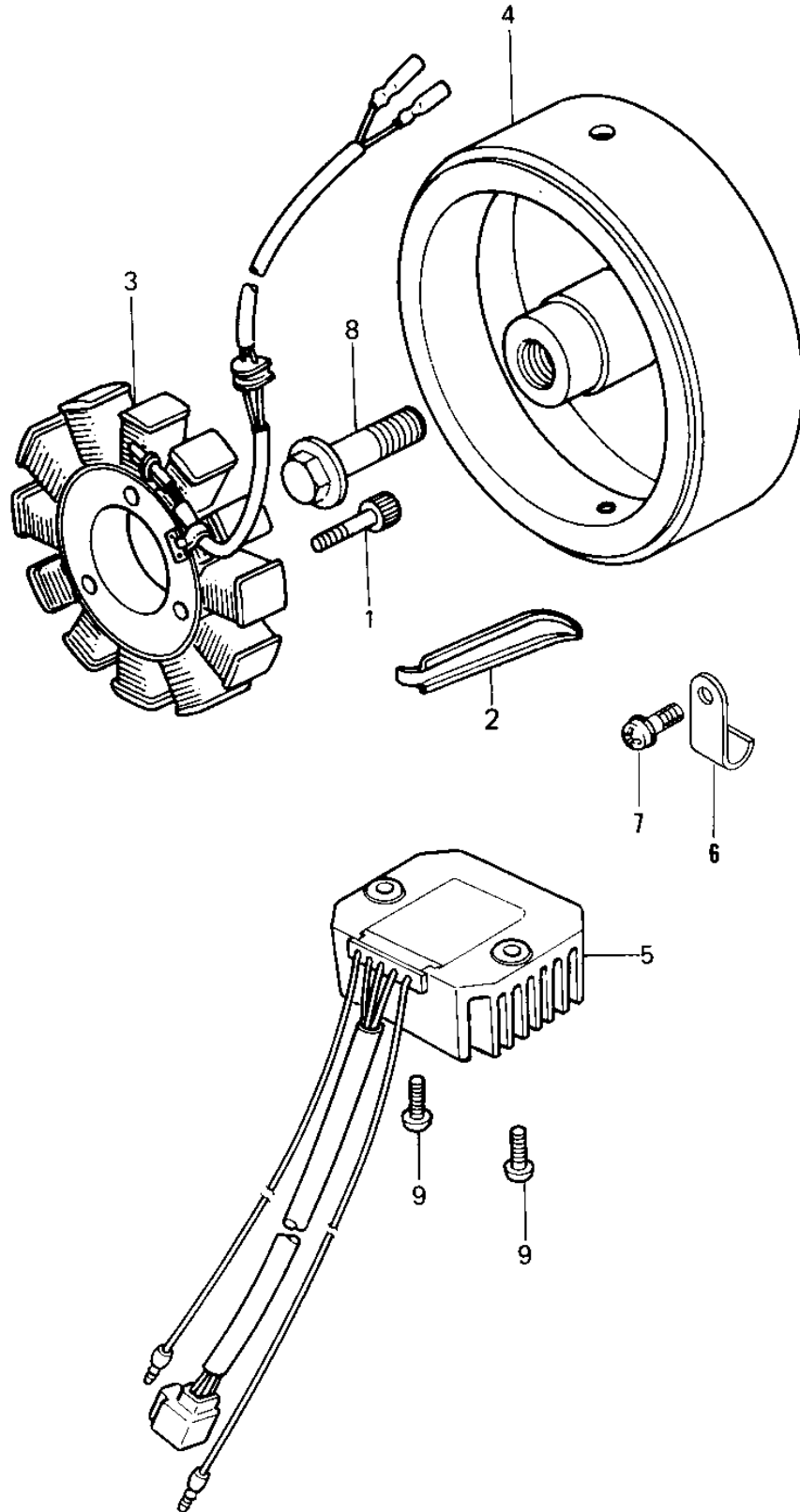


1980 KZ440-B1 PARTS DIAGRAM

GENERATOR/REGULATOR ('80 B1)



1980 KZ440-B1 PARTS LIST

GENERATOR/REGULATOR ('80 B1)

ITEM NAME	PART NUMBER	QUANTITY
BOLT,ALLEN,6X28 (Ref # 1)	120P0628	3
PLATE,LEAD CLAMP (Ref # 2)	13169-1008	1
STATOR.ASSY,GENERATER (Ref # 3)	21003-1009	1
FLYWHEEL (Ref # 4)	21050-1004	1
REGULATOR,VOLTAGE (Ref # 5)	21066-1014	1
CLAMP,WIRING HARNESS (Ref # 6)	21126-008	1
SCREW PAN HEAD 6X10 (Ref # 7)	220B0610	1
BOLT,10X40 (Ref # 8)	92002-1303	1
SCREW PAN HEAD 6X14 (Ref # 9)	220B0614	2