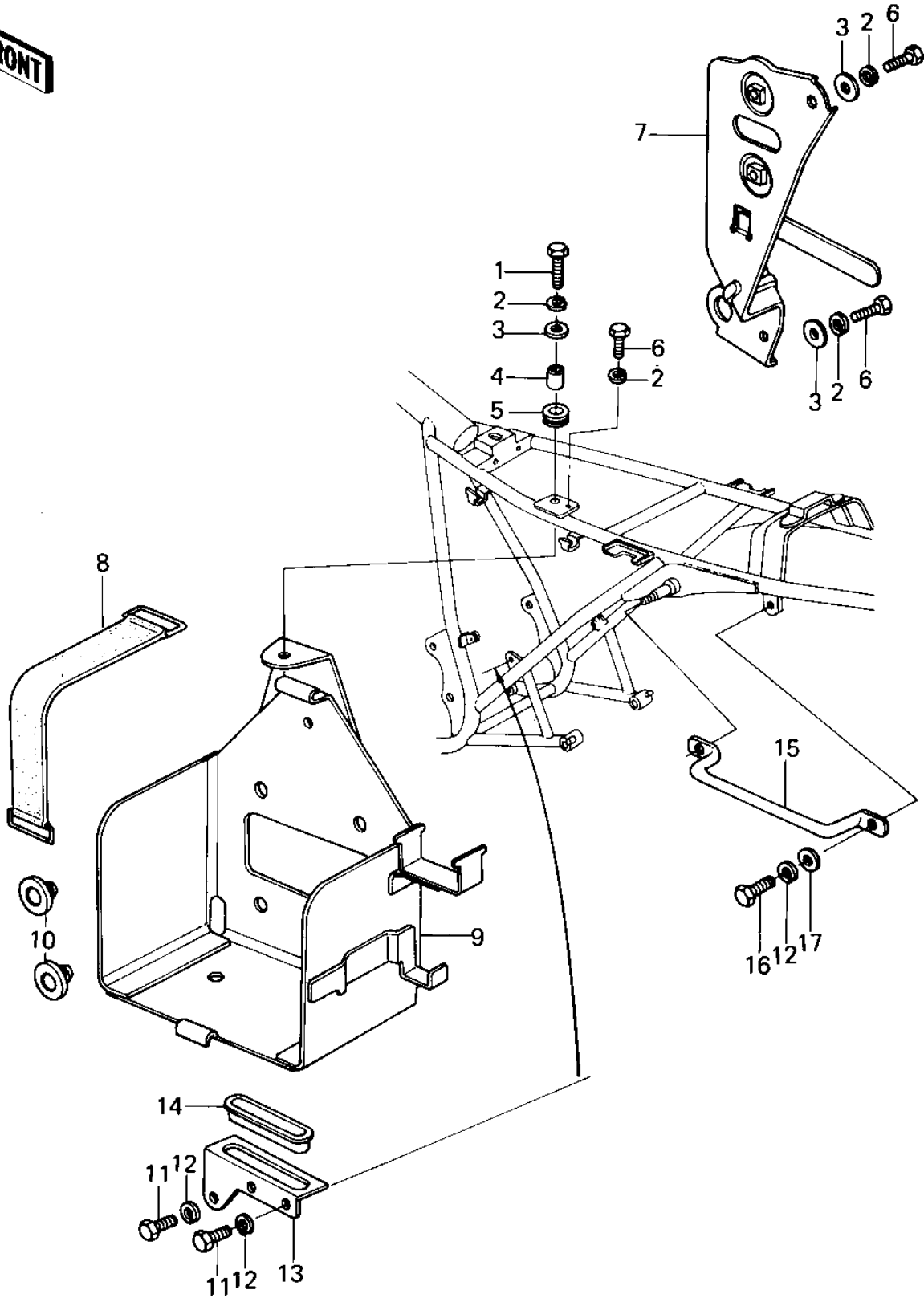


# 1980 KZ440-B1 PARTS DIAGRAM

BATTERY CASE/ELECTRO BRACKET ('80 B1)



## 1980 KZ440-B1 PARTS LIST

### BATTERY CASE/ELECTRO BRACKET ('80 B1)

ITEM NAME	PART NUMBER	QUANTITY
BOLT 6X22 (Ref # 1)	112B0622	1
WASHER SPRING 6MM (Ref # 2)	461F0600	4
WASHER 6.5X20X1.6T (Ref # 3)	92022-125	3
COLLAR,6.8X10X8.5 (Ref # 4)	92027-129	1
DAMPER RUBBER (Ref # 5)	92075-076	1
BOLT-UPSET 6X14 (Ref # 6)	112B0614	3
BRACKET,ELECTRIC (Ref # 7)	11034-1071	1
BAND BATTERY (Ref # 8)	92072-006	1
CASE,BATTERY (Ref # 9)	32097-041	1
DAMPER RUBBER (Ref # 10)	92075-078	7
BOLT-SMALL-UPSET,8X16 (Ref # 11)	115G0816	2
WASHER SPRING 8MM (Ref # 12)	461F0800	3
BRACKET,BASE (Ref # 13)	32129-008	1
DAMPER RUBBER (Ref # 14)	92075-280	1
GRIP FRAME (Ref # 15)	32109-009	1
BOLT-SMALL-UPSET,8X16 (Ref # 16)	115G0816	1
WASHER PLAIN 8MM (Ref # 17)	410B0800	1