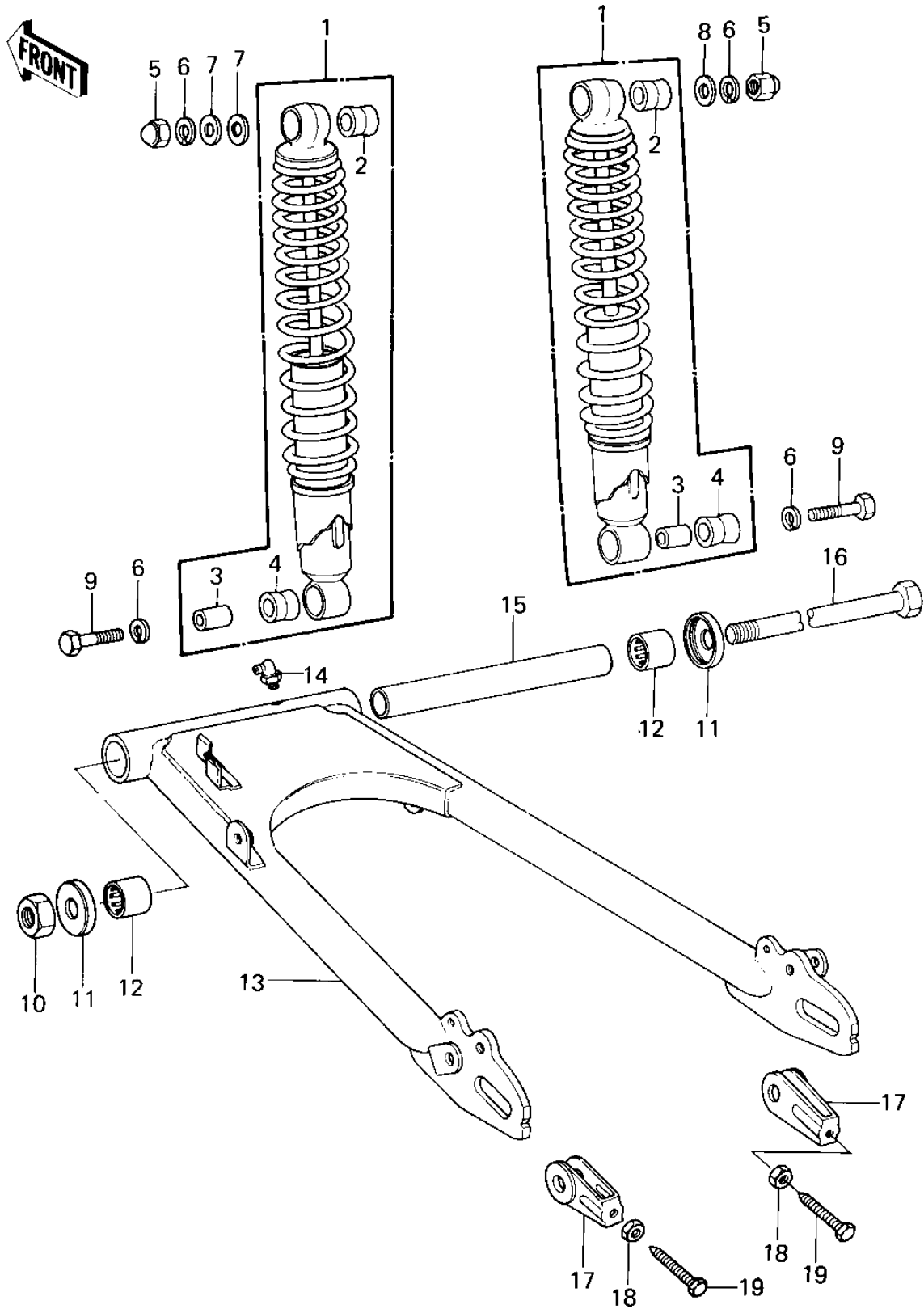


1980 KZ440-B1 PARTS DIAGRAM

SWING ARM/SHOCK ABSORBERS ('80 B1)



1980 KZ440-B1 PARTS LIST

SWING ARM/SHOCK ABSORBERS ('80 B1)

| ITEM NAME | PART NUMBER | QUANTITY |
|----------------------------------|-------------|----------|
| SHOCK ABSBR RR (Ref # 1) | 45014-1003 | 2 |
| BUSHING,SHCK ABS RUB (Ref # 2) | 45017-015 | 2 |
| BUSHING,SHOCK ABSORB (Ref # 3) | 45016-008 | 2 |
| BUSHING, SHCK ABS RUB (Ref # 4) | 45017-012 | 2 |
| NUT SHOCK ABSORBER (Ref # 5) | 92020-003 | 2 |
| WASHER SPRING 10MM (Ref # 6) | 461F1000 | 4 |
| WASHER PLAIN 10MM (Ref # 7) | 411B1000 | 2 |
| WASHER,PLAIN (Ref # 8) | 92022-1022 | 1 |
| BOLT HEX HEAD 10X35 (Ref # 9) | 113N1035 | 2 |
| NUT-LOCK,14MM (Ref # 10) | 92019-011 | 1 |
| CAP,SWING ARM (Ref # 11) | 11012-1029 | 2 |
| BEARING-NEEDLE,HK2216 (Ref # 12) | 92046-1115 | 2 |
| ARM-COMP-SWING (Ref # 13) | 33001-1106 | 1 |
| GREASE NIPPLE (Ref # 14) | 92005-002 | 1 |
| SLEEVE,SWING ARM (Ref # 15) | 42036-1017 | 1 |
| SHAFT,SWING ARM (Ref # 16) | 33032-1002 | 1 |
| ADJUSTER-CHAIN (Ref # 17) | 33040-043 | 2 |
| NUT 8MM (Ref # 18) | 312B0800 | 2 |
| BOLT,8X50 (Ref # 19) | 92001-1399 | 2 |