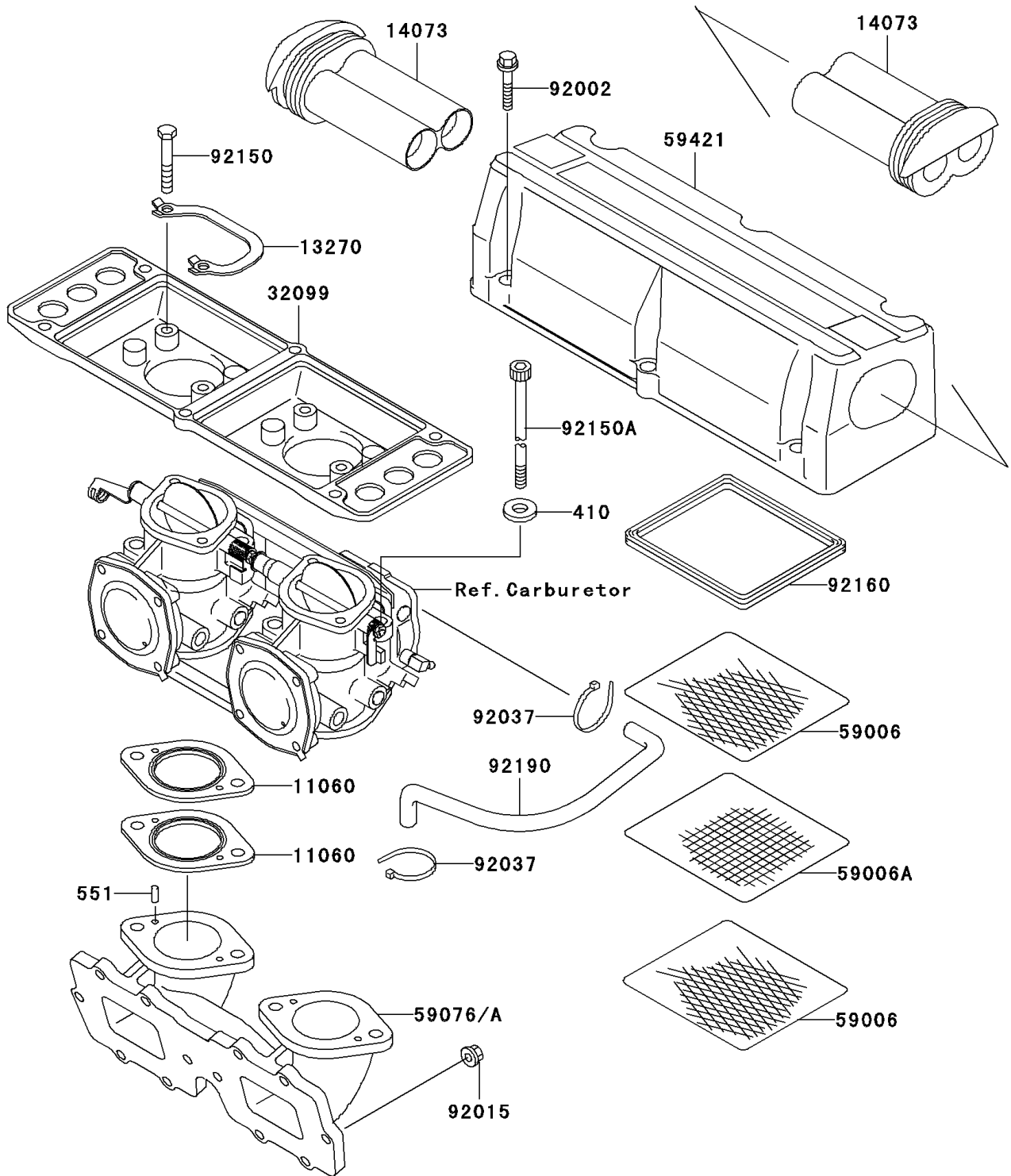


# 1998 SXI PRO PARTS DIAGRAM

Flame Arrester

E1614



# 1998 SXI PRO PARTS LIST

## Flame Arrester

ITEM NAME	PART NUMBER	QUANTITY
WASHER-PLAIN-SMALL,8MM (Ref # 410)	410S0800	4
PIN-DOWEL (Ref # 551)	551R0416	4
GASKET,CARBURETOR (Ref # 11060)	11060-3761	4
PLATE (Ref # 13270)	13270-3804	2
DUCT (Ref # 14073)	14073-3733	2
CASE (Ref # 32099)	32099-3801	1
ARRESTER-FLAME (Ref # 59006)	59006-3707	4
ARRESTER-FLAME (Ref # 59006A)	59006-3708	2
MANIFOLD-INTAKE (Ref # 59076)	59076-3726	1
COVER-INTAKE (Ref # 59421)	59421-3719	1
BOLT,6X30 (Ref # 92002)	92002-3726	6
NUT,6MM (Ref # 92015)	92015-3767	12
CLAMP (Ref # 92037)	92037-1173	2
BOLT,6X30 (Ref # 92150)	92150-3766	4
BOLT,SOCKET,8X85 (Ref # 92150A)	92150-3852	4
DAMPER (Ref # 92160)	92160-3704	2
TUBE (Ref # 92190)	92190-3965	1