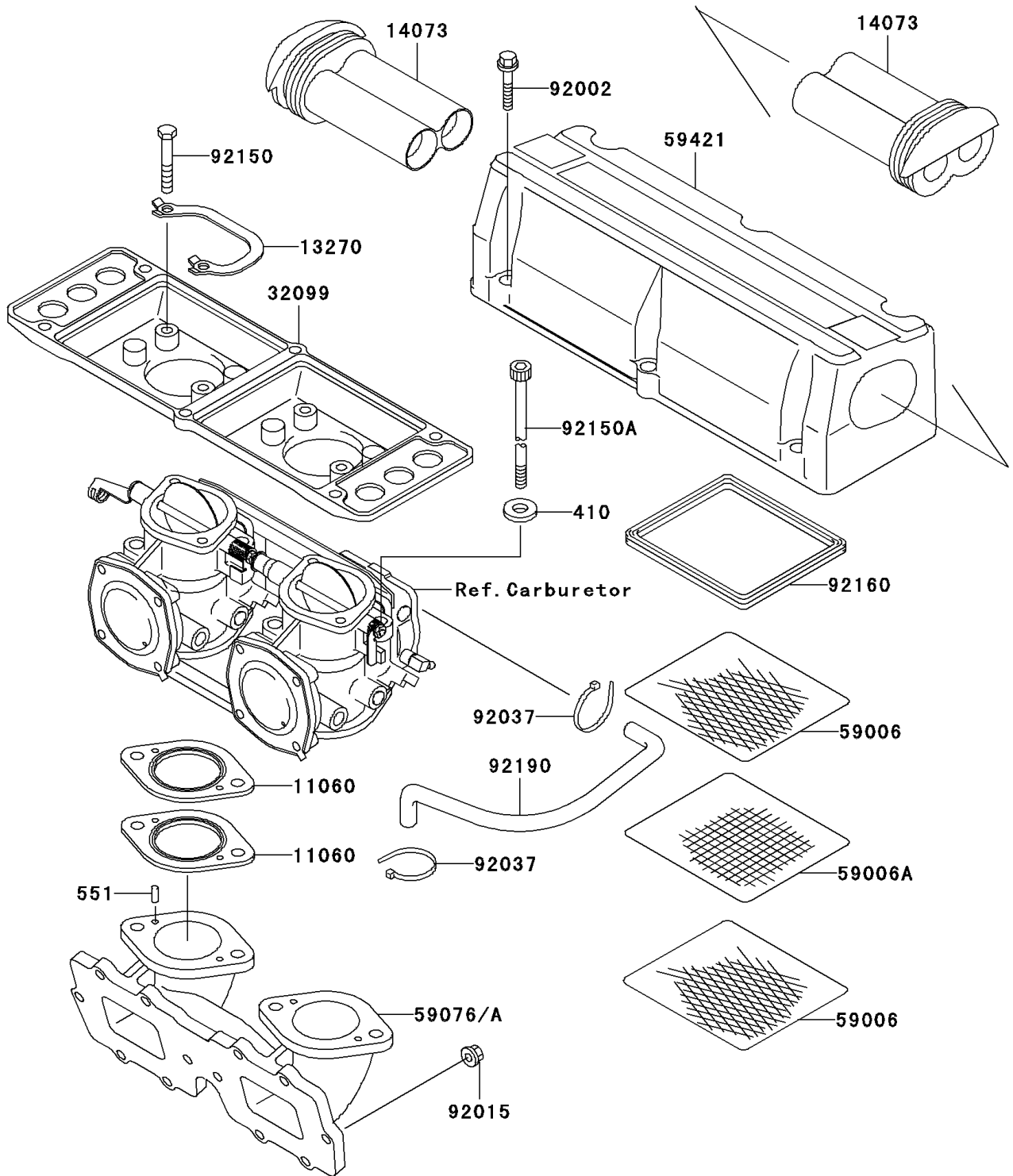


1999 SXI PRO PARTS DIAGRAM

Flame Arrester

E1614



1999 SXI PRO PARTS LIST

Flame Arrester

ITEM NAME	PART NUMBER	QUANTITY
-----------	-------------	----------