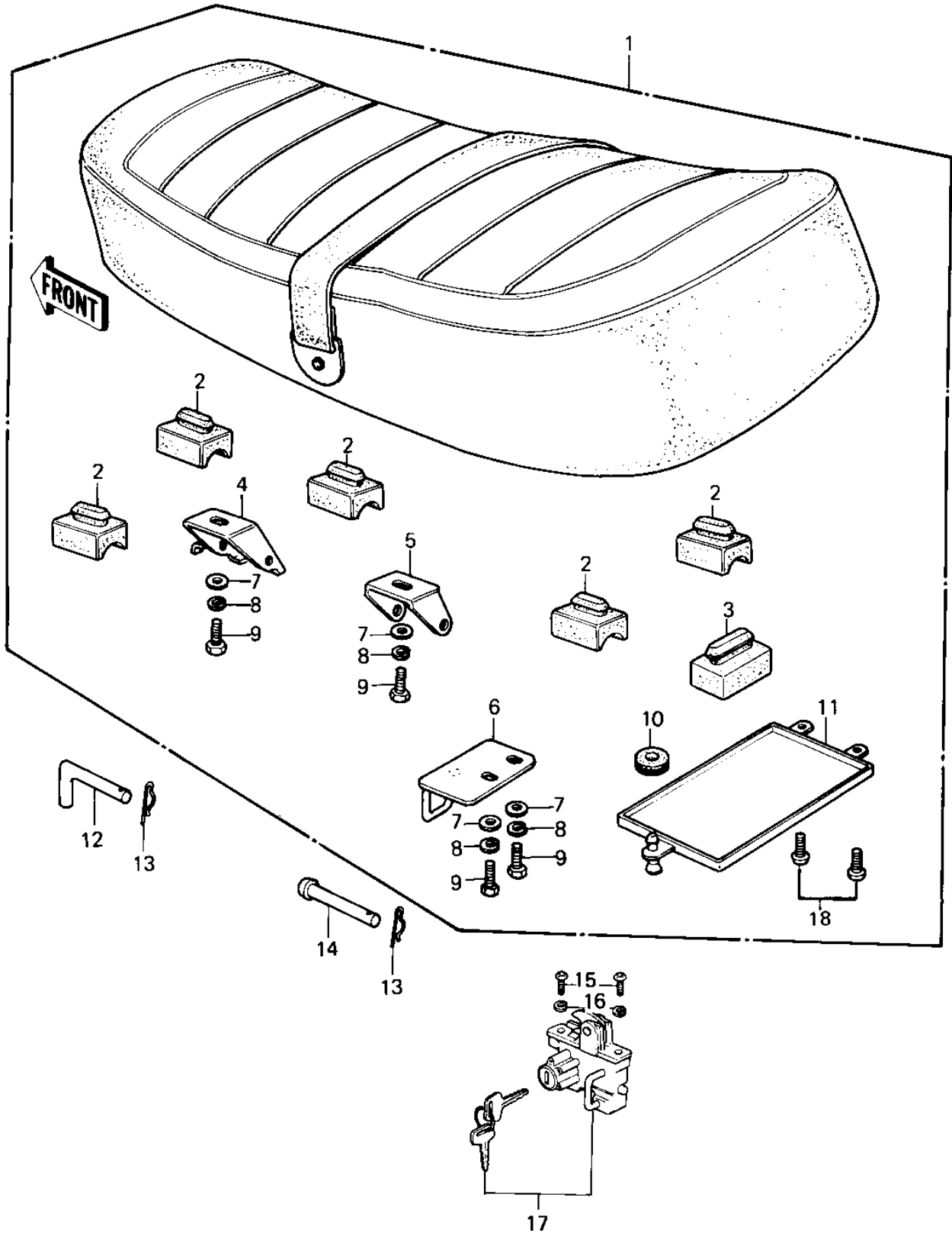


1980 KZ440-B1 PARTS DIAGRAM

SEAT (80 B1)



1980 KZ440-B1 PARTS LIST

SEAT (80 B1)

ITEM NAME	PART NUMBER	QUANTITY
SEAT-ASSY,DUAL (Ref # 1)	53001-1139	1
DAMPER RUBBER-SEAT (Ref # 2)	92075-156	5
DAMPER RUBBER (Ref # 3)	92075-099	1
HINGE,SEAT (Ref # 4)	53009-1007	1
HINGE, REAR (Ref # 5)	53009-026	1
HOOK,SEAT (Ref # 6)	53008-024	1
WASHER PLAIN 6MM (Ref # 7)	411B0600	4
WASHER SPRING 6MM (Ref # 8)	461F0600	4
BOLT-UPSET 6X14 (Ref # 9)	112B0614	4
GROMMET (Ref # 10)	92071-056	1
CASE (Ref # 11)	32099-011	1
PIN,SEAT PIVOT (Ref # 12)	92043-1064	1
PIN,SNAP (Ref # 13)	554A0600	2
PIN, DUAL SEAT PIVOT (Ref # 14)	53011-006	1
SCREW PAN HEAD 6X14 (Ref # 15)	220B0614	2
WASHER SPRING 6MM (Ref # 16)	461F0600	2
LOCK ASSY,SEAT HELMET (Ref # 17)	27016-5028	1
SCREW (Ref # 18)	92009-1043	2