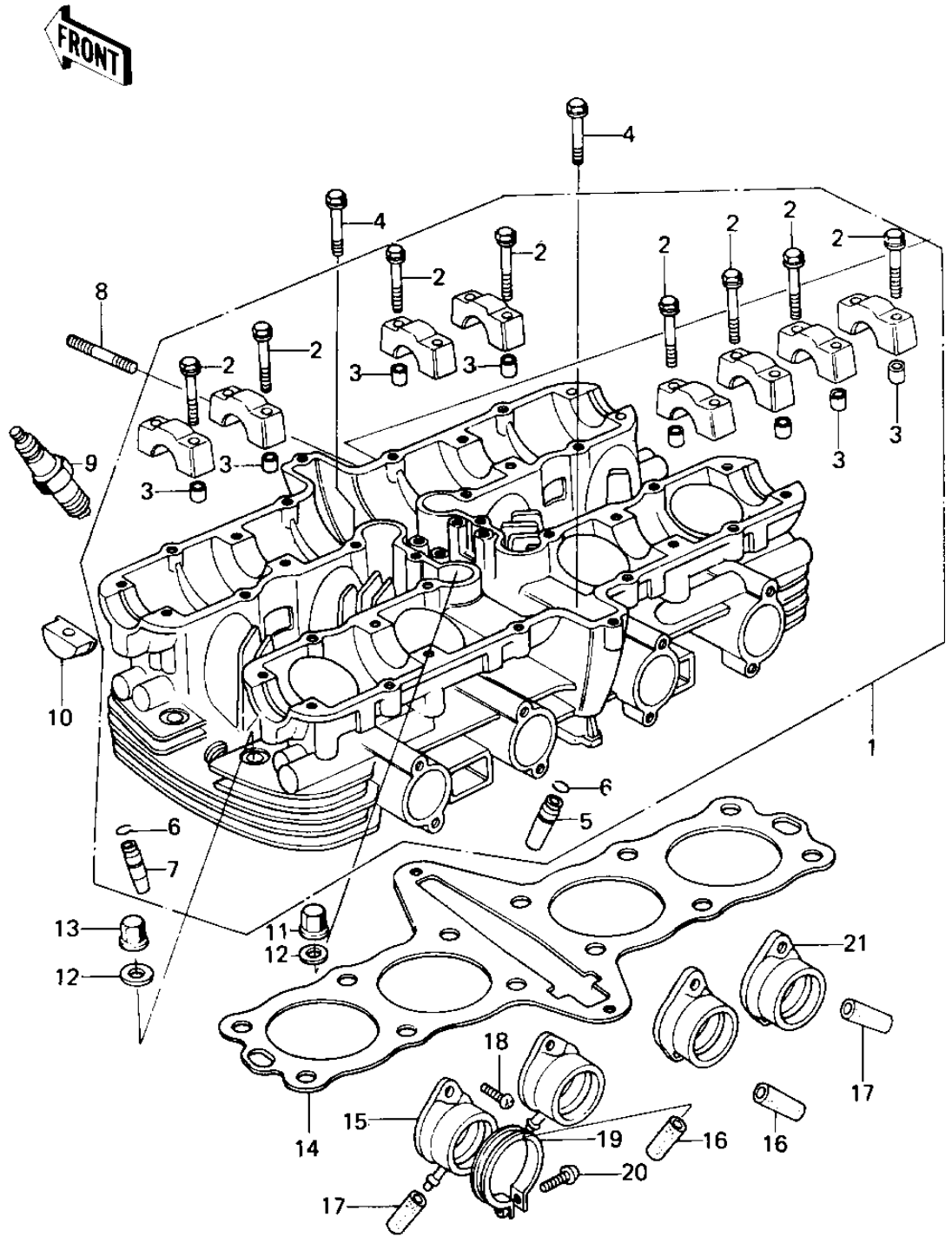


# 1979 Custom PARTS DIAGRAM

## CYLINDER HEAD



# 1979 Custom PARTS LIST

## CYLINDER HEAD

| ITEM NAME                       | PART NUMBER  | QUANTITY |
|---------------------------------|--------------|----------|
| CYLINDER HEAD,BARREL (Ref # 1)  | 11002-028-2H | 1        |
| HEAD ASSY,CYLINDER (Ref # 1)    | 11002-1014   | 1        |
| BOLT,HEX HEAD,6X38 (Ref # 2)    | 92003-206    | 16       |
| PIN-DOWEL (Ref # 3)             | 92042-007    | 16       |
| BOLT,6X43 (Ref # 4)             | 92002-1881   | 2        |
| GUIDE,INLET VALVE (Ref # 5)     | 12013-009    | 4        |
| CIRCLIP-VALVE (Ref # 6)         | 92036-023    | 8        |
| GUIDE,EXHAUST VALVE (Ref # 7)   | 49002-1002   | 4        |
| STUD,6X27 (Ref # 8)             | 92004-066    | 8        |
| SPARK PLUG B7ES (Ref # 9)       | B7ES         | 4        |
| PLUG,CAMSHAFT,11.35X (Ref # 10) | 92066-1111   | 4        |
| NUT,10MM (Ref # 11)             | 92015-1415   | 8        |
| NUT,CYLINDER HEAD (Ref # 11)    | 92015-076    | 8        |
| WASHER PLAIN 10MM (Ref # 12)    | 411B1000     | 12       |
| NUT,CYLINDER HEAD (Ref # 13)    | 92015-076    | 4        |
| GASKET-HEAD,CYLINDER (Ref # 14) | 11004-1107   | 1        |
| GASKET-HEAD,CYLINDER (Ref # 14) | 11004-1107   | 1        |
| DUCT,ENGINE INTAKE (Ref # 15)   | 16065-048    | 2        |
| RUBBER PLUG (Ref # 16)          | 92068-006    | 2        |
| RUBBER PLUG (Ref # 17)          | 92068-006    | 2        |
| SCREW PAN HEAD 6X18 (Ref # 18)  | 220B0618     | 8        |
| CLAMP,CARBURETOR HLD (Ref # 19) | 92037-178    | 4        |
| SCREW-PAN-CROS,5X25 (Ref # 20)  | 220B0525     | 4        |
| HOLDER,CARB,R.H (Ref # 21)      | 16065-047    | 2        |