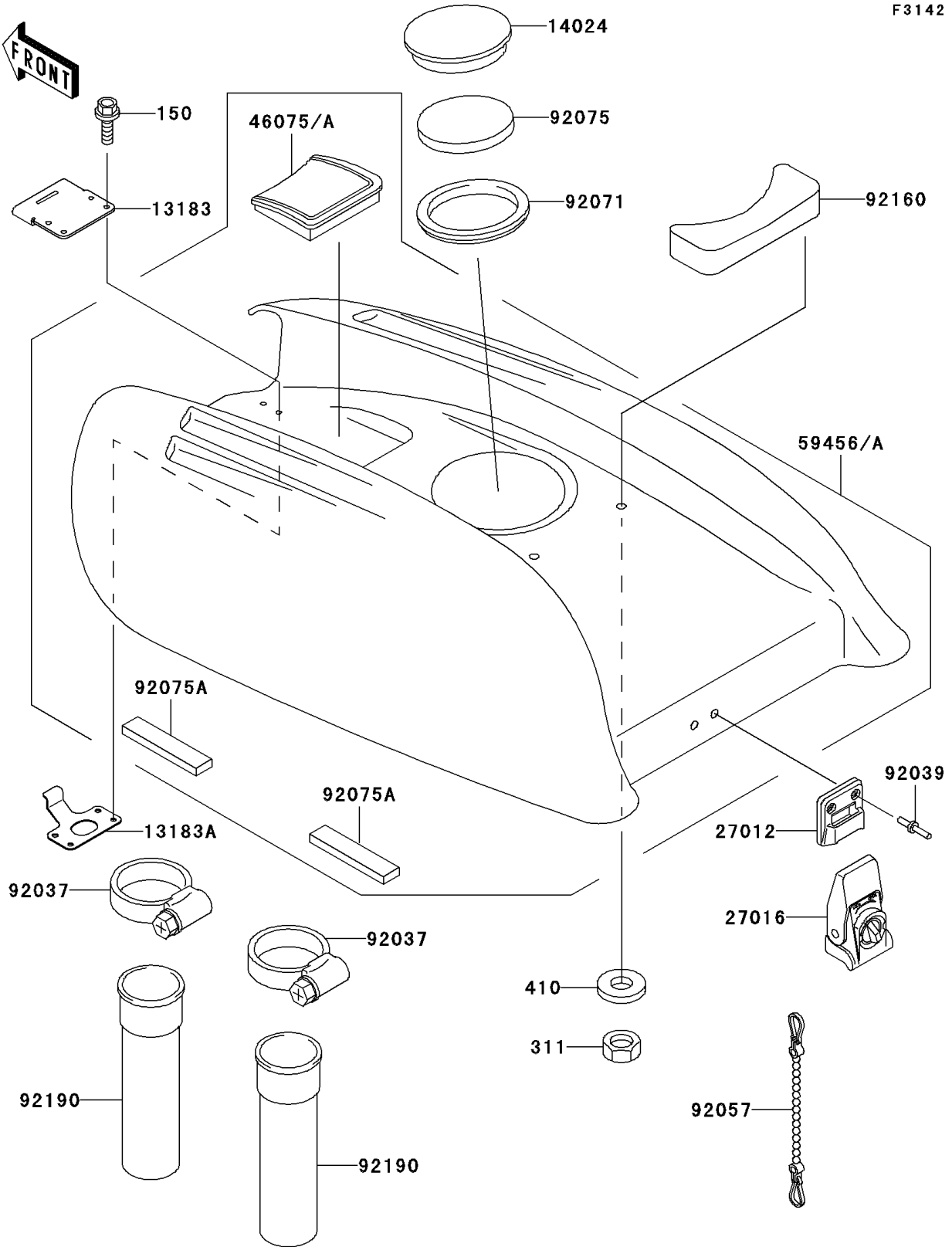


2000 SXI PRO PARTS DIAGRAM

Engine Hood

F3142



2000 SXI PRO PARTS LIST

Engine Hood

ITEM NAME	PART NUMBER	QUANTITY
BOLT-WS,5X25 (Ref # 150)	150R0525	4
NUT-HEX,5MM (Ref # 311)	311R0500	2
W-PLAIN-S,5MM (Ref # 410)	410S0500	2
PLATE,ENGINE HOOD (Ref # 13183)	13183-3788	1
PLATE,ENGINE HOOD (Ref # 13183A)	13183-3789	1
COVER (Ref # 14024)	14024-3748	1
HOOK,ENGINE HOOD LOCK (Ref # 27012)	27012-3762	1
LOCK-ASSY,ENGINE HOOD (Ref # 27016)	27016-3723	1
GRIP,ENGINE HOOD,J.WHITE (Ref # 46075A)	46075-3722-8C	1
HOOD-COMP-ENGINE,J.WHITE (Ref # 59456A)	59456-3728-8C	1
CLAMP (Ref # 92037)	92037-3738	2
RIVET (Ref # 92039)	92039-3750	2
CHAIN,COVER,L=100 (Ref # 92057)	92057-3704	1
GROMMET (Ref # 92071)	92071-3742	1
DAMPER (Ref # 92075)	92075-3737	1
DAMPER (Ref # 92075A)	92075-3757	4
DAMPER (Ref # 92160)	92160-3772	1
TUBE (Ref # 92190)	92190-3824	2