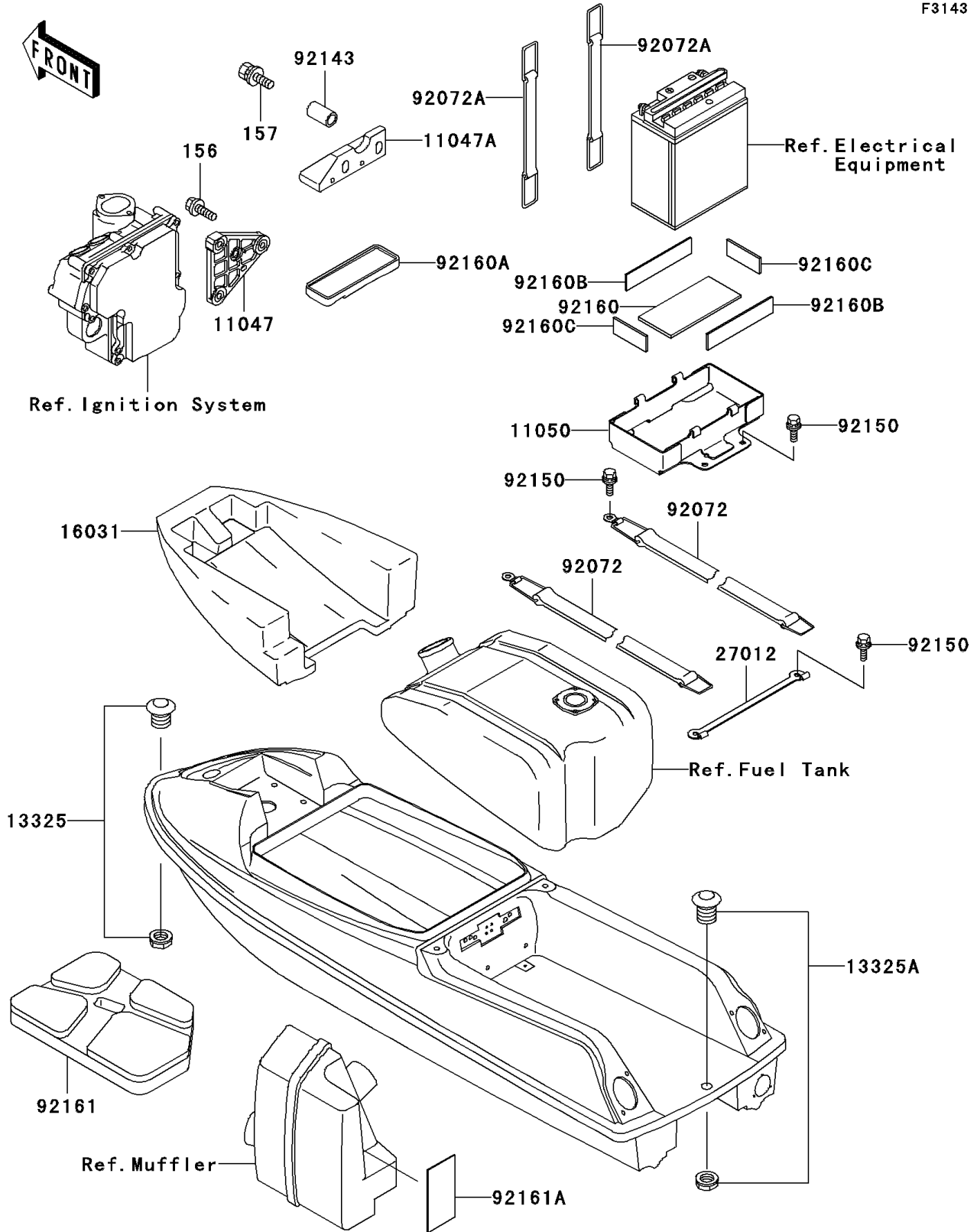


# 2000 SXI PRO PARTS DIAGRAM

Hull Fittings

F3143



## 2000 SXI PRO PARTS LIST

### Hull Fittings

ITEM NAME	PART NUMBER	QUANTITY
BOLT-WP,6X25 (Ref # 156)	156R0625	1
BOLT-WSP,6X25 (Ref # 157)	157R0625	2
BRACKET (Ref # 11047)	11047-3752	1
BRACKET (Ref # 11047A)	11047-3753	1
BRACKET,BATTERY (Ref # 11050)	11050-3749	1
BUSHING-ASSY,BLACK (Ref # 13325)	13325-3703	1
BUSHING-ASSY,BLACK (Ref # 13325A)	13325-3705	1
FLOAT,FUEL TANK (Ref # 16031)	16031-3846	1
HOOK,FIRE EXTINGUISHER (Ref # 27012)	27012-3772	1
BAND,FUEL TANK (Ref # 92072)	92072-3840	2
BAND,BATTERY (Ref # 92072A)	92072-3841	2
COLLAR,6X8.5X14.7 (Ref # 92143)	92143-3728	2
BOLT,6X16 (Ref # 92150)	92150-3714	8
DAMPER (Ref # 92160)	92160-1851	1
DAMPER (Ref # 92160A)	92160-3777	1
DAMPER (Ref # 92160B)	92160-3840	2
DAMPER,WATER MUFFER (Ref # 92160C)	92160-3880	2
DAMPER,WATER MUFFLER (Ref # 92161)	92161-3727	1
DAMPER (Ref # 92161A)	92161-3728	1