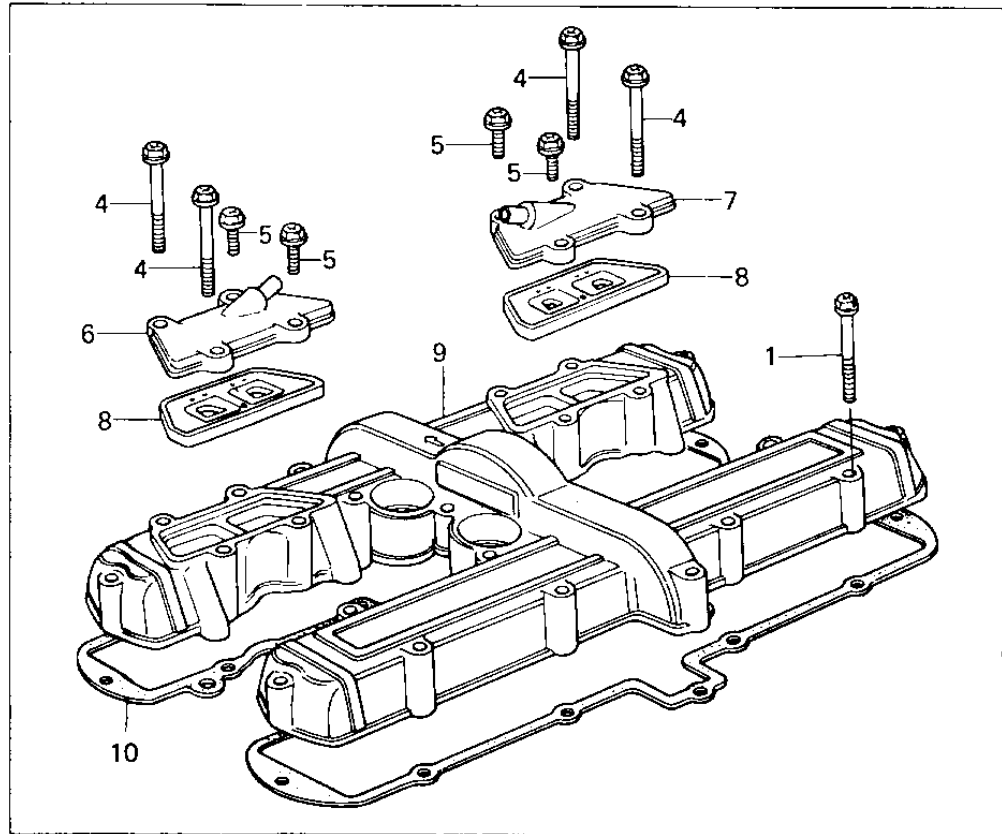
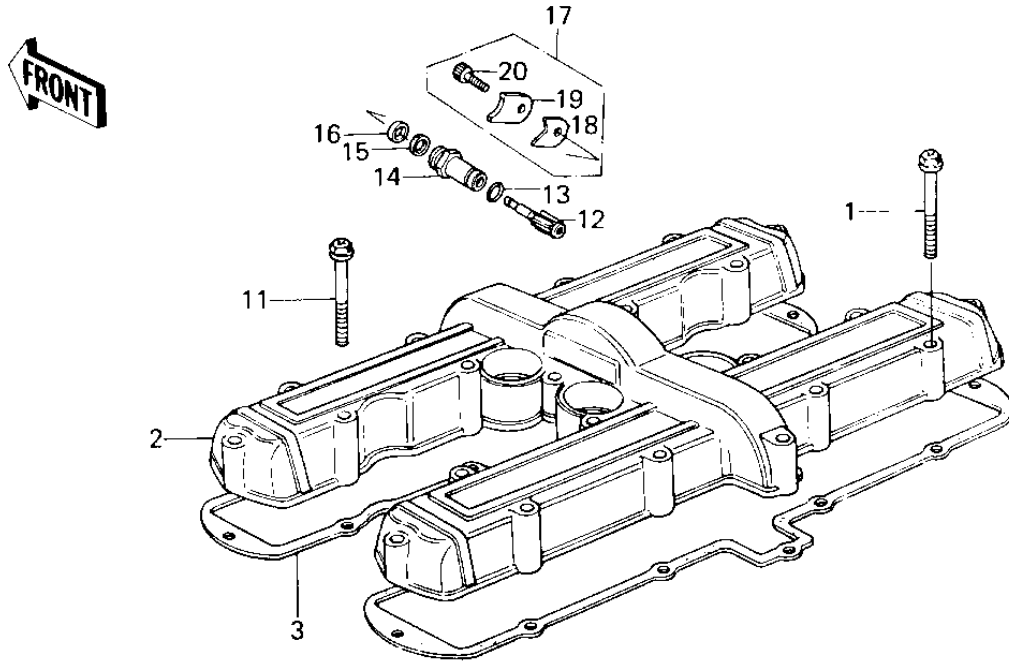


1978 SR PARTS DIAGRAM

CYLINDER HEAD COVER



1978 SR PARTS LIST

CYLINDER HEAD COVER

ITEM NAME	PART NUMBER	QUANTITY
BOLT,HEX HEAD,6X45 (Ref # 1)	92001-165	20
COVER,CYLINDER HEAD (Ref # 2)	11022-009-2H	1
GASKET,CYL HEAD COVER (Ref # 3)	11009-1025	1
BOLT,HEX HEAD,6X65 (Ref # 4)	92001-1102	4
BOLT,FLANGED,6X22 (Ref # 5)	92001-1352	4
CAP ASSY,L.H,REED VLV (Ref # 6)	14075-5002	1
CAP ASSY,R.H,REED VLV (Ref # 7)	14075-5001	1
VALVE ASSY REED (Ref # 8)	12021-1003	2
COVER,CYLINDER HEAD (Ref # 9)	14025-1058	1
GASKET,CYL HEAD COVER (Ref # 10)	11009-1065	1
BOLT,HEX HEAD,6X45 (Ref # 11)	92001-165	4
GEAR,TACHOMETER,10T (Ref # 12)	13223-011	1
RING-O,10MM (Ref # 13)	92055-1149	1
GUIDE,TACHOMETER GEAR (Ref # 14)	92087-010	1
OIL SEAL (Ref # 15)	92050-075	1
GASKET,TACHOMETER GER (Ref # 16)	92065-103	1
HOLDER SET,TACHOMETER (Ref # 17)	13091-5001	1
HOLDER,TACHOMETR,3.2T (Ref # 18)	13091-1009	1
HOLDER,TACHOMETER2.3T (Ref # 19)	13091-1008	1
BOLT,6X14 (Ref # 20)	120P0614	1