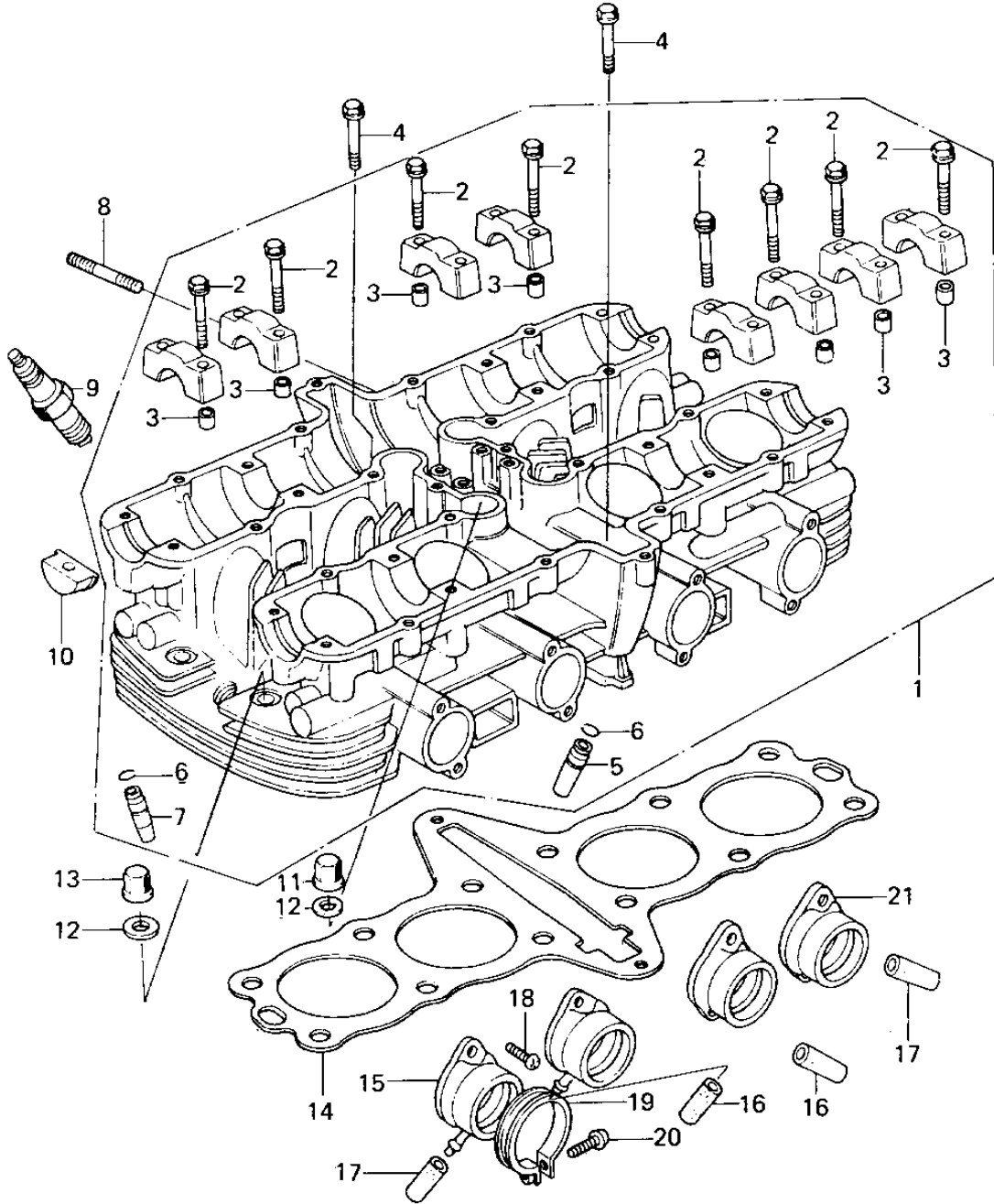


# 1978 SR PARTS DIAGRAM

CYLINDER HEAD



# 1978 SR PARTS LIST

## CYLINDER HEAD

| ITEM NAME                        | PART NUMBER  | QUANTITY |
|----------------------------------|--------------|----------|
| CYLINDER HEAD,BARREL (Ref # 1)   | 11002-028-2H | 1        |
| HEAD ASSY,CYLINDER (Ref # 1)     | 11002-1020   | 1        |
| BOLT,HEX HEAD,6X38 (Ref # 2)     | 92003-206    | 16       |
| PIN-DOWEL (Ref # 3)              | 92042-007    | 16       |
| BOLT,6X43 (Ref # 4)              | 92002-1881   | 2        |
| GUIDE,INLET VALVE (Ref # 5)      | 12013-009    | 4        |
| CIRCLIP-VALVE (Ref # 6)          | 92036-023    | 8        |
| GUIDE,EXHAUST VALVE (Ref # 7)    | 49002-1002   | 4        |
| STUD,6X27 (Ref # 8)              | 92004-066    | 8        |
| SPARK PLUG B7ES (Ref # 9)        | B7ES         | 4        |
| PLUG,CAMSHAFT,11.35X1 (Ref # 10) | 92066-1111   | 4        |
| NUT,10MM (Ref # 11)              | 92015-1415   | 8        |
| NUT,CYLINDER HEAD (Ref # 11)     | 92015-076    | 8        |
| WASHER PLAIN 10MM (Ref # 12)     | 411B1000     | 12       |
| NUT,CYLINDER HEAD (Ref # 13)     | 92015-076    | 4        |
| GASKET-HEAD,CYLINDER (Ref # 14)  | 11004-1107   | 1        |
| GASKET-HEAD,CYLINDER (Ref # 14)  | 11004-1107   | 1        |
| HOLDER,CARB,L.H. (Ref # 15)      | 16065-046    | 2        |
| RUBBER PLUG (Ref # 16)           | 92068-006    | 2        |
| RUBBER PLUG (Ref # 17)           | 92068-006    | 2        |
| RUBBER PLUG (Ref # 17)           | 92068-006    | 2        |
| SCREW PAN HEAD 6X18 (Ref # 18)   | 220B0618     | 8        |
| CLAMP,CARBURETOR HLDR (Ref # 19) | 92037-178    | 4        |
| SCREW-PAN-CROS,5X25 (Ref # 20)   | 220B0525     | 4        |
| HOLDER,CARB,R.H (Ref # 21)       | 16065-047    | 2        |