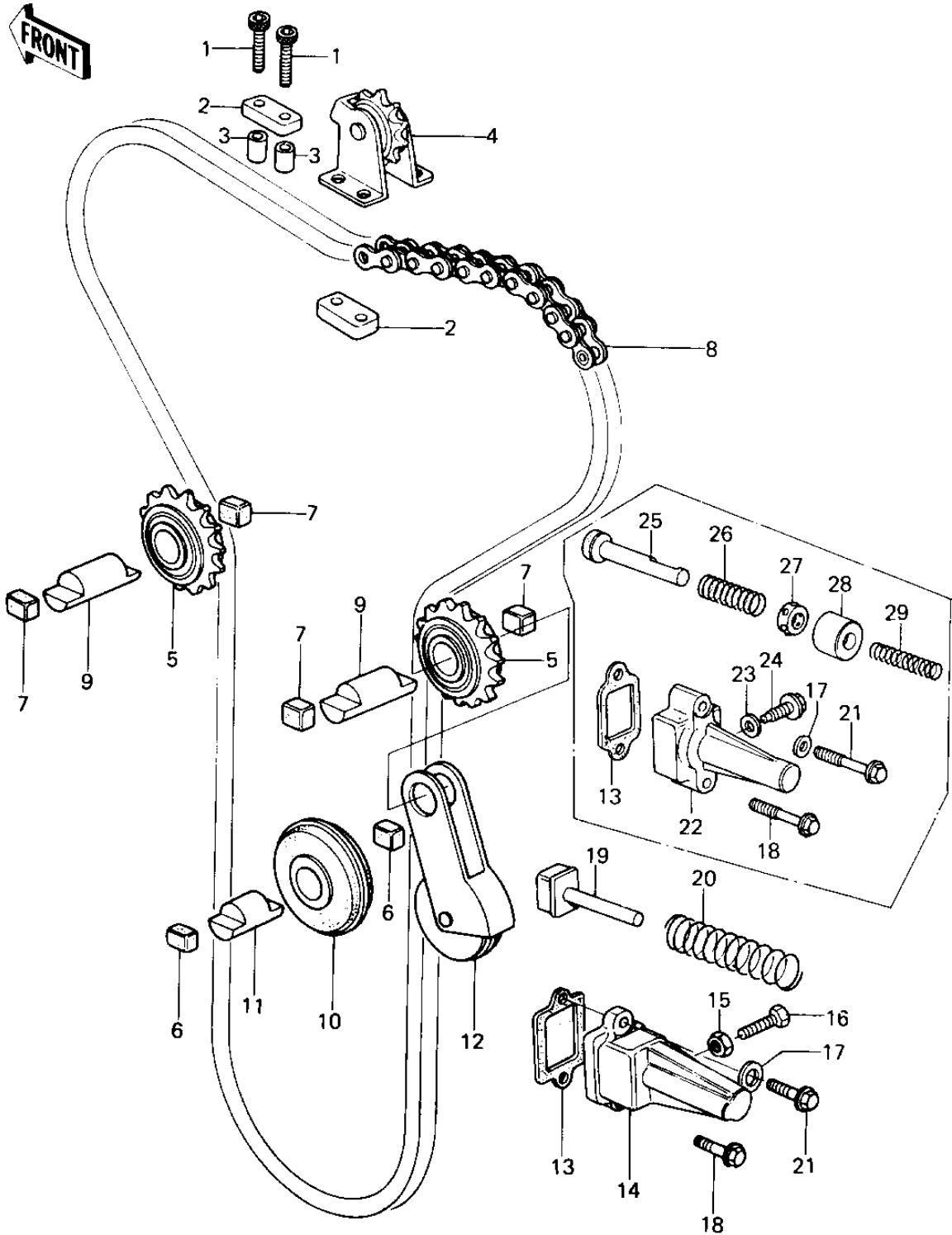


# 1978 SR PARTS DIAGRAM

## CAM CHAIN/TENSIONER



# 1978 SR PARTS LIST

## CAM CHAIN/TENSIONER

ITEM NAME	PART NUMBER	QUANTITY
BOLT,ALLEN,6X32 (Ref # 1)	120Q0632	2
DAMPER RUBBER (Ref # 2)	92075-289	2
COLLAR,8X15 (Ref # 3)	92027-1079	2
IDLER ASSY,CAM CHAIN (Ref # 4)	12053-1013	2
IDLER ASSY,CAM CHAIN (Ref # 5)	12053-1012	2
DAMPER RUBBER (Ref # 6)	92075-123	2
RUBBER,GUIDE ROLLAR (Ref # 7)	92075-232	2
CHAIN,CAM (Ref # 8)	21070-012	2
SHAFT,GUIDE ROLLER (Ref # 9)	12052-005	2
ROLLER,CAM CHN GUIDE (Ref # 10)	12055-004	2
SHAFT,CAM CHAIN GUIDE (Ref # 11)	12052-003	2
TENSIONER,CAM CHAIN (Ref # 12)	12048-015	2
GASKET,TENSIONER (Ref # 13)	11009-1980	2
HOLDER,TENSIONER (Ref # 14)	12049-1003	2
NUT 6MM (Ref # 15)	311B0600	2
BOLT,TENSIONER ADJUST (Ref # 16)	92003-093	2
WASHER OIL PUMP BANJO (Ref # 17)	92022-077	2
BOLT,FLANGED,6X30 (Ref # 18)	130G0630	2
PUSH ROD,CAM CHAIN (Ref # 19)	12054-001	2
SPRING,TENSTIONER (Ref # 20)	92081-107	2
BOLT,FLANGED,6X35 (Ref # 21)	130H0635	2
TENSIONER KIT (Ref # 22)	99996-1021	2
WASHER OIL PUMP BANJO (Ref # 23)	92022-077	2
BELT,TENSIONER ADJUST (Ref # 24)	92001-1155	2
ROD ASSY,PUSH (Ref # 25)	13116-1008	2
SPRING,TENSIONER (Ref # 26)	92081-1068	2
RETAINER (Ref # 27)	14020-1002	2
COLLAR, TENSIONER (Ref # 28)	92027-1102	2
SPRING (Ref # 29)	92081-146	2