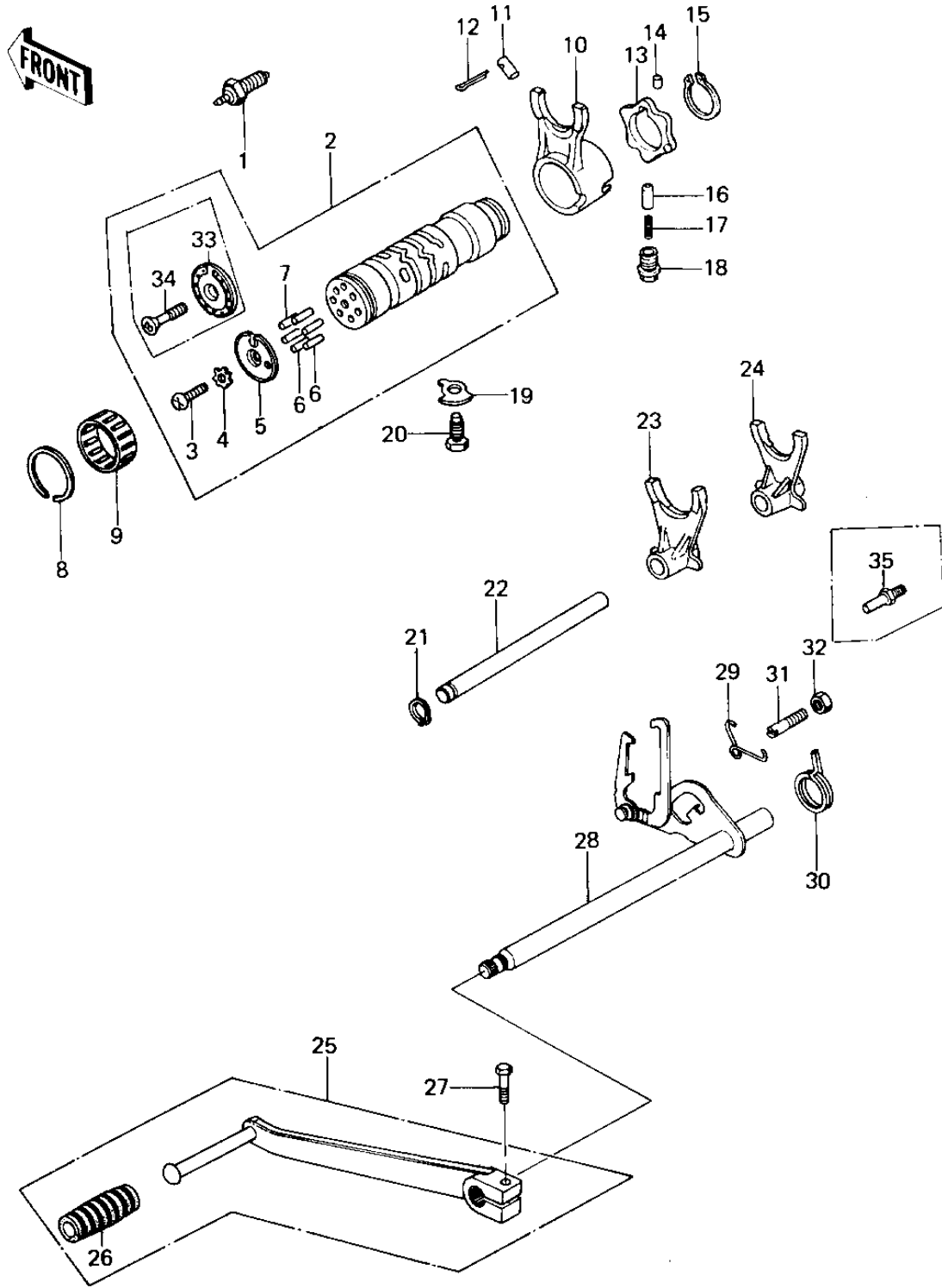


1978 SR PARTS DIAGRAM

GEAR CHANGE MECHANISM



1978 SR PARTS LIST

GEAR CHANGE MECHANISM

ITEM NAME	PART NUMBER	QUANTITY
SWITCH,NEUTRAL (Ref # 1)	13151-5002	2
DRUM-ASSY-CHANGE (Ref # 2)	13239-1069	2
DRUM-ASSY-CHANGE (Ref # 2)	13239-1069	2
SCREW PAN HEAD 6X14 (Ref # 3)	220B0614	2
WASHER LOCK 6MM (Ref # 4)	464G0600	2
PLATE,SHIFT DRUM PIN (Ref # 5)	13142-020	2
PIN,GEAR CHNGE DRUM (Ref # 6)	92042-030	2
PIN GEAR CHANGE DRUM (Ref # 7)	92042-014	2
CIRCLIP,37MM (Ref # 8)	92033-035	2
BRG,NEDL,37BTM4312 (Ref # 9)	92046-051	2
SHIFT FORK,4TH & TOP (Ref # 10)	13140-1009	2
DOWEL PIN,8X18 (Ref # 11)	92042-021	2
PIN COTTER 3.0X20 (Ref # 12)	550D3020	2
CAM-CHANGE DRUM (Ref # 13)	13145-1058	2
PIN-DOWEL,4X6 (Ref # 14)	610A0406	2
CIRCLIP,30MM (Ref # 15)	480J3000	2
PIN-NEUTRAL POSITION (Ref # 16)	92043-076	2
SPRING (Ref # 17)	92081-112	2
BOLT,10MM (Ref # 18)	92001-131	2
WASHER,LOCK,10MM (Ref # 19)	92024-074	2
BOLT,HEX HEAD,10X26 (Ref # 20)	92001-174	2
CIRCLIP 12MM (Ref # 21)	480J1200	2
ROD-SHIFT (Ref # 22)	49047-5003	2
SHIFT FORK,LOW,2&3RD (Ref # 23)	13140-1008	2
SHIFT FORK,LOW,2&3RD (Ref # 24)	13140-1008	2
PEDAL ASSY,GEAR SHIFT (Ref # 25)	13242-022	2
DAMPER,CHANGE PEDAL (Ref # 26)	92160-1036	2
BOLT-UPSET,6X20 (Ref # 27)	112G0620	2
LEVER ASSY,GEAR SFT (Ref # 28)	13161-042	2

1978 SR PARTS LIST

GEAR CHANGE MECHANISM

ITEM NAME	PART NUMBER	QUANTITY
SPRING,KICK PAWL (Ref # 29)	92083-018	2
SPRING,CHG PEDL RTRN (Ref # 30)	92083-028	2
PIN CHANGE PEDAL SPRG (Ref # 31)	92043-057	2
NUT 8MM (Ref # 32)	312B0800	2
HOLDER,CHANGE DRUM PI (Ref # 33)	13091-1104	2
SCREW CNTSNK HD 6X20 (Ref # 34)	221B0620	2
BOLT,RETURN SPRING (Ref # 35)	92001-1401	2