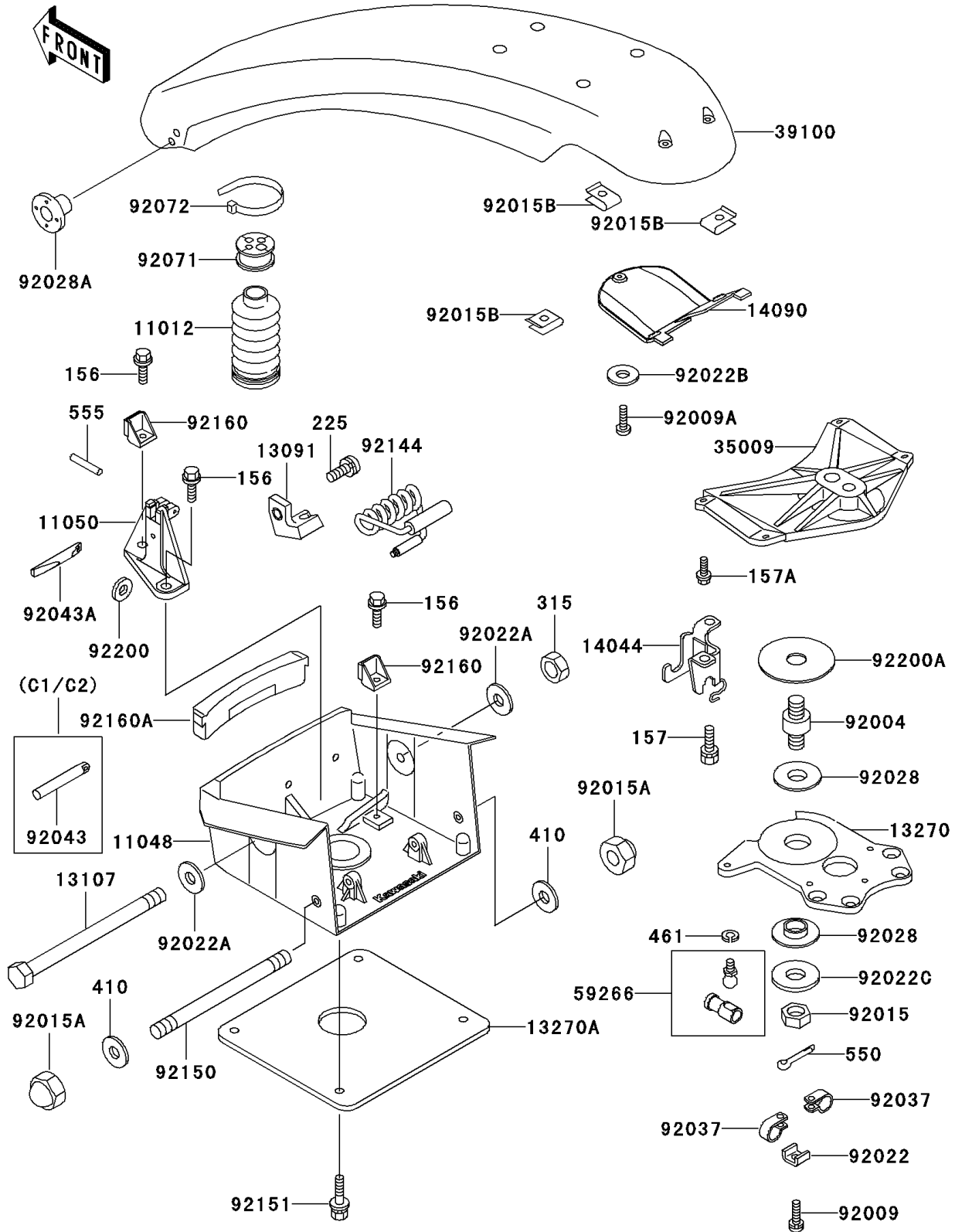


1998 SXI PRO PARTS DIAGRAM

Handle Pole

F3171



1998 SXI PRO PARTS LIST

Handle Pole

ITEM NAME	PART NUMBER	QUANTITY
BOLT-WP,6X16 (Ref # 156)	156R0616	3
BOLT-WSP,6X16 (Ref # 157)	157R0616	2
BOLT-WSP,6X20 (Ref # 157A)	157R0620	4
SCREW-PAN-WSP-CROS,5X16 (Ref # 225)	225R0516	1
CAP (Ref # 11012)	11012-3754	1
BRACKET,PIVOT SHAFT,J.WHITE (Ref # 11048)	11048-3785-8C	1
BRACKET (Ref # 11050)	11050-3733	1
HOLDER (Ref # 13091)	13091-3774	1
SHAFT,PIVOT (Ref # 13107)	13107-3725	1
PLATE,HANDLEBER (Ref # 13270)	13270-3805	1
PLATE (Ref # 13270A)	13270-3890	1
HOLDER-CABLE (Ref # 14044)	14044-3716	1
COVER,HANDLE POLE,BLACK MICA (Ref # 14090)	14090-3708-5M	1
BRACE (Ref # 35009)	35009-3707	1
POLE-COMP-HANDLE,BLACK MICA (Ref # 39100)	39100-3713-5M	1
JOINT-BALL (Ref # 59266)	59266-3707	1
STUD (Ref # 92004)	92004-3728	1
SCREW,5X16 (Ref # 92009)	92009-3736	1
SCREW,5X16 (Ref # 92009A)	92009-3797	3
NUT,CASTLE,18MM (Ref # 92015)	92015-3006	1
NUT,CAP,6MM (Ref # 92015A)	92015-3755	2
NUT,CLIP,5MM (Ref # 92015B)	92015-3830	3
WASHER,CLAMP (Ref # 92022)	92022-3014	1
WASHER,15X34X2.0 (Ref # 92022A)	92022-3738	2
WASHER (Ref # 92022B)	92022-567	3
WASHER (Ref # 92022C)	92022-571	1
BUSHING (Ref # 92028)	92028-3743	2
BUSHING,STEERING (Ref # 92028A)	92028-3752	2
CLAMP,LEAD WIRE (Ref # 92037)	92037-3007	2

1998 SXI PRO PARTS LIST

Handle Pole

ITEM NAME	PART NUMBER	QUANTITY
PIN (Ref # 92043)	92043-3739	1
GROMMET (Ref # 92071)	92071-3788	1
BAND,L=201 (Ref # 92072)	92072-3778	1
SPRING (Ref # 92144)	92144-3735	1
BOLT,6X119 (Ref # 92150)	92150-3787	1
BOLT,8X29 (Ref # 92151)	92151-3767	4
DAMPER (Ref # 92160)	92160-3790	2
DAMPER (Ref # 92160A)	92160-3846	1
WASHER,3.5X12X1 (Ref # 92200)	92200-3723	1
WASHER,20.5X80X3 (Ref # 92200A)	92200-3725	1
NUT-HEX-FINE,14MM (Ref # 315)	315R1400	1
WASHER-PLAIN-SMALL,6MM (Ref # 410)	410S0600	2
WASHER-SPRING,6MM (Ref # 461)	461S0600	1
PIN-COTTER,4X40 (Ref # 550)	550S4040	1
PIN-SPRING,3X25 (Ref # 555)	555B0325	1