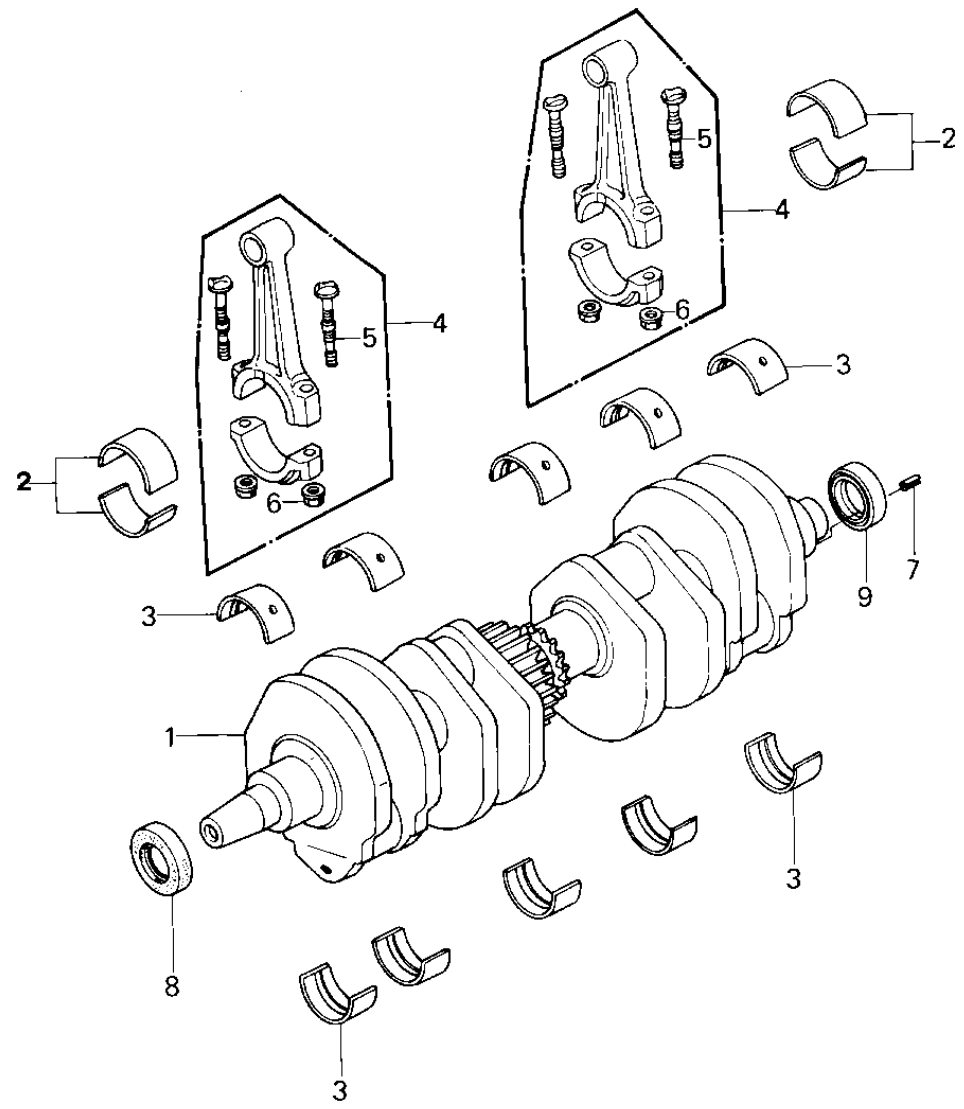


# 1980 LTD PARTS DIAGRAM

## CRANKSHAFT



# 1980 LTD PARTS LIST

## CRANKSHAFT

ITEM NAME	PART NUMBER	QUANTITY
CRANKSHAFT ASSY (Ref # 1)	13037-069	1
METAL,CONNECT ROD BRG (Ref # 2)	13034-050	8
METAL,CONNECT ROD BRG (Ref # 2)	13034-051	8
METAL,CONNECT ROD BRG (Ref # 2)	13034-052	8
BUSHING,CRANKSHAFT (Ref # 3)	92028-1100	10
BUSHING,CRANKSHAFT (Ref # 3)	92028-1101	10
BUSHING,CRANKSHAFT (Ref # 3)	92028-1101	10
BUSHING,CRANKSHAFT (Ref # 3)	92028-1102	10
BUSHING,CRANKSHAFT (Ref # 3)	92028-1102	10
CONNECTING ROD ASSY (Ref # 4)	13251-1003-HH	4
CONNECTING ROD ASSY,J (Ref # 4)	13251-1007-JJ	4
CONNECTING ROD ASSY,J (Ref # 4)	13251-1007-JJ	4
CONNECTING ROD ASSY,J (Ref # 4)	13251-1007-JJ	4
CONNECTING ROD ASSY,J (Ref # 4)	13251-1007-JJ	4
CONNECTING ROD ASSY,J (Ref # 4)	13251-1007-JJ	4
CONNECTING ROD ASSY,K (Ref # 4)	13251-1007-KK	4
BOLT,CONNECTING ROD (Ref # 5)	92001-1793	8
BOLT,CONNECTING ROD,8 (Ref # 5)	92001-1887	8
NUT,CONNECTING ROD (Ref # 6)	92016-060	8
NUT,FLANGED,8MM (Ref # 6)	92015-1311	8
PIN-SPRING,4X8 (Ref # 7)	555A0408	1
OIL SEAL,HSCY22397 (Ref # 8)	92050-080	1
OIL SEAL,HSCY25397 (Ref # 9)	92050-081	1