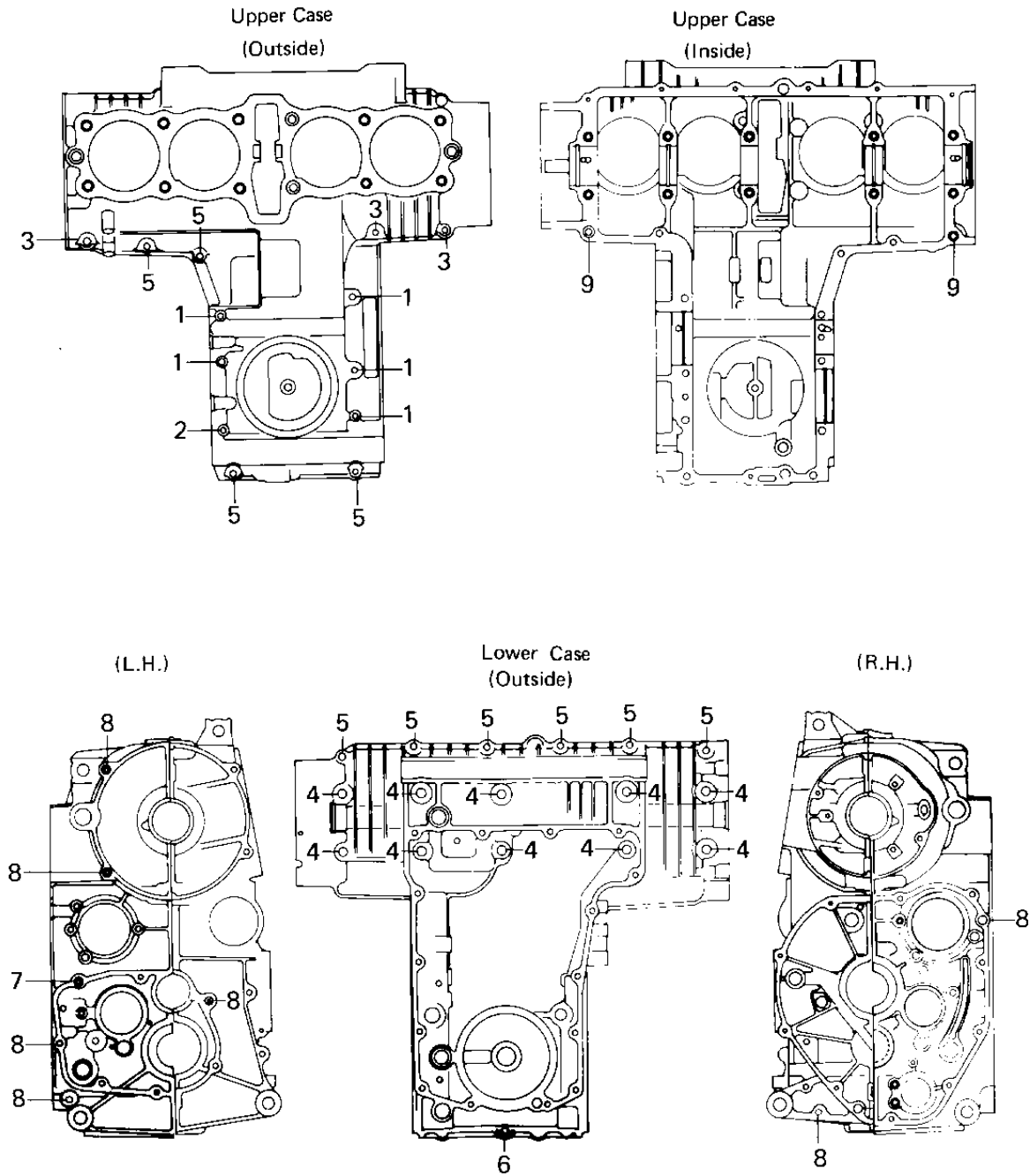


# 1980 LTD PARTS DIAGRAM

## CRANKCASE BOLT & STUD PATTERN

R



I

# 1980 LTD PARTS LIST

## CRANKCASE BOLT & STUD PATTERN

ITEM NAME	PART NUMBER	QUANTITY
BOLT,HEX HEAD,6X99 (Ref # 1)	92003-111	5
BOLT,HEX HEAD,6X116 (Ref # 2)	92003-113	1
BOLT-FLANGED,6X48 (Ref # 3)	92003-179	2
BOLT-FLANGED,6X48 (Ref # 3)	92003-179	1
BOLT-FLANGED,8X95 (Ref # 4)	130P0895	10
BOLT-FLANGED,6X41 (Ref # 5)	92003-109	1
BOLT-FLANGED,6X41 (Ref # 5)	92003-109	9
BOLT,6X105 (Ref # 6)	92003-194	1
PIN,DOWEL,6X14 (Ref # 7)	551A0614	1
PIN-DOWEL,8X14 (Ref # 8)	92042-007	7
PIN, DOWEL, 8.2X10X14 (Ref # 9)	92043-1037	2