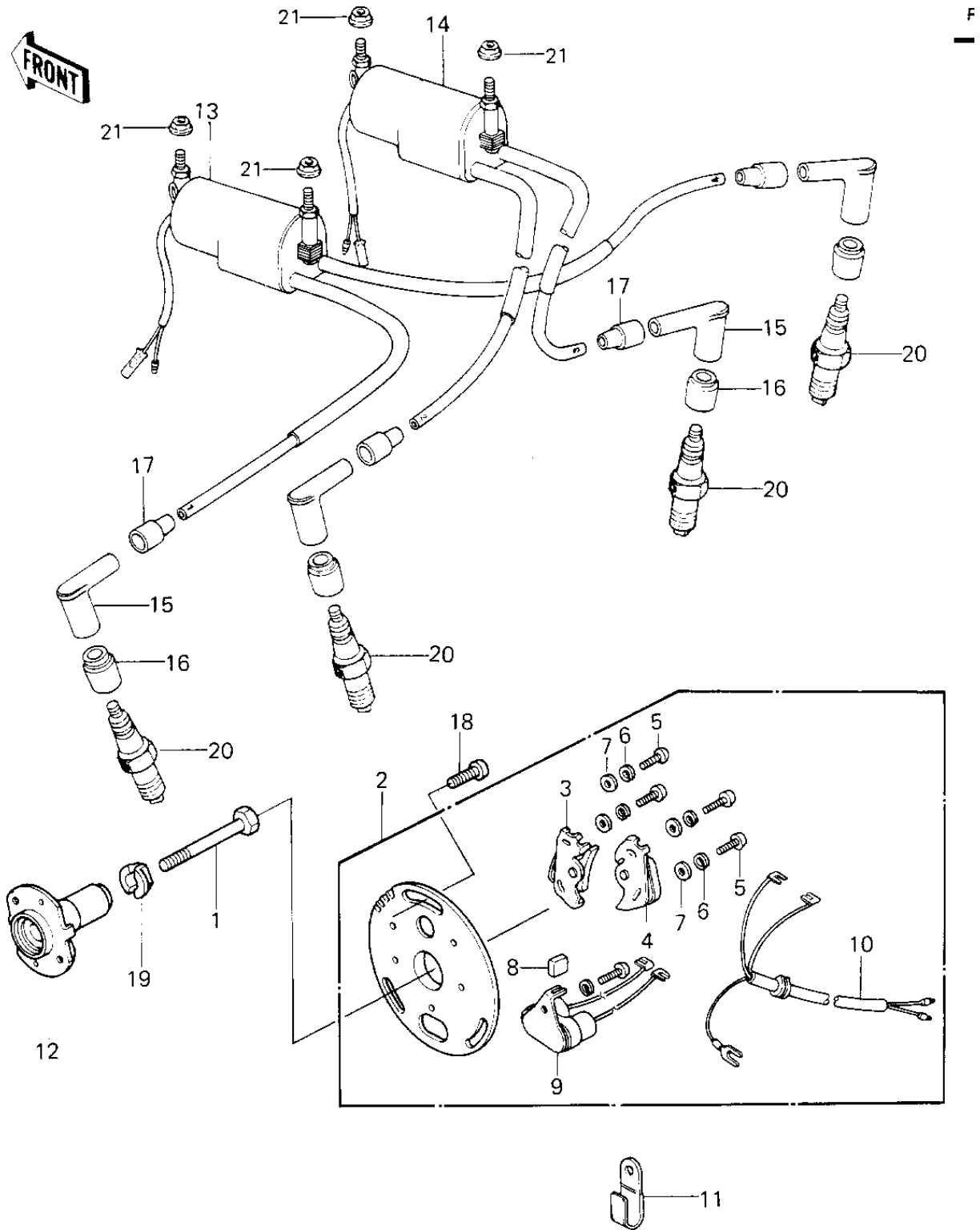


1980 LTD PARTS DIAGRAM

IGNITION



1980 LTD PARTS LIST

IGNITION

ITEM NAME	PART NUMBER	QUANTITY
BOLT-8X63 (Ref # 1)	92001-1397	1
BREAKER ASSY,CONTACT (Ref # 2)	21008-1012	1
BREAKER,CONTACT (Ref # 3)	21008-028	1
BREAKER,CONTACT (Ref # 4)	21008-027	1
SCREW PAN HEAD 4X6 (Ref # 5)	220B0406	5
WASHER SPRING 4MM (Ref # 6)	461F0400	5
WASHER PLAIN 4MM (Ref # 7)	410B0400	4
FELT OIL (Ref # 8)	21019-005	1
CONDENSER (Ref # 9)	21013-037	1
WIRING HARNESS,BREAKR (Ref # 10)	26001-1081	1
CLAMP,WIRING HARNESS (Ref # 11)	21126-008	2
ADVANCER,AUTMATC TMNG (Ref # 12)	21148-011	1
COIL,IGNITION,#1.4 (Ref # 13)	21121-1001	1
COIL,IGNITION,#2.3 (Ref # 14)	21121-1002	1
CAP-SPARK PLUG,RTFM20 (Ref # 15)	21130-1007	4
GROMMET-PLUG CAP,A (Ref # 16)	21131-004	4
GROMMET,SPARK PLG CAP (Ref # 17)	21132-005	4
SCREW PAN HEAD 5X12 (Ref # 18)	220B0512	3
WASHER,SPARK ADVANCER (Ref # 19)	92022-244	1
SPARK PLUG B7ES (Ref # 20)	B7ES	4
NUT-6MM (Ref # 21)	92015-1078	4