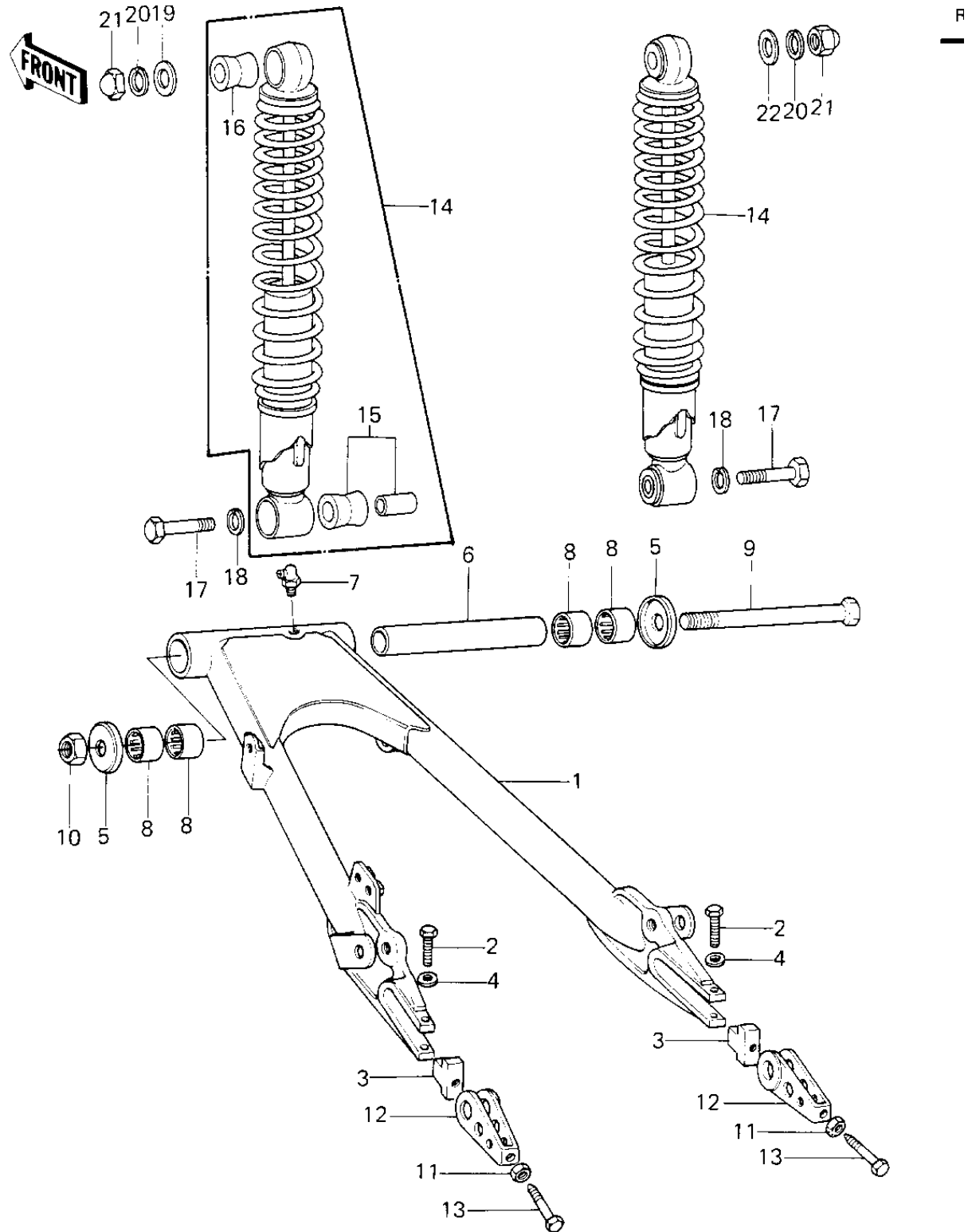


# 1980 LTD PARTS DIAGRAM

## SWING ARM/SHOCK ABSORBERS



# 1980 LTD PARTS LIST

## SWING ARM/SHOCK ABSORBERS

ITEM NAME	PART NUMBER	QUANTITY
ARM-COMP-SWING (Ref # 1)	33001-1094	1
BOLT, HEX HEAD, 8X36 (Ref # 2)	110G0836	2
STOPPER, CHAIN ADJUST (Ref # 3)	33044-002	2
WASHER, SPRING, 8MM (Ref # 4)	461F0800	2
CAP,SWING ARM (Ref # 5)	33035-009	2
SLEEVE,SWING ARM (Ref # 6)	42036-1012	1
GREASE NIPPLE (Ref # 7)	92005-002	1
BEARING-NEEDLE,HK2216 (Ref # 8)	92046-1115	4
SHAFT,SWING ARM (Ref # 9)	33032-050	1
NUT-SELF LOCKING (Ref # 10)	92019-012	1
NUT 8MM (Ref # 11)	312B0800	2
ADJUSTER,CHAIN (Ref # 12)	33040-056	2
BOLT,8X50 (Ref # 13)	92001-1399	2
SHOCK ABSBR RR (Ref # 14)	45014-1009	2
BUSHING,SHOCK ABSORBE (Ref # 15)	45017-019	2
BUSHING,SHOCK ABSORB (Ref # 16)	45017-020	2
BOLT HEX HEAD 10X35 (Ref # 17)	113N1035	2
WASHER SPRING 10MM (Ref # 18)	461F1000	2
WASHER PLAIN 12MM (Ref # 19)	410B1200	1
WASHER SPRING 12MM (Ref # 20)	461F1200	2
NUT 12MM (Ref # 21)	92020-014	2
WASHER,PLAIN,12 X 22 (Ref # 22)	92022-1057	1