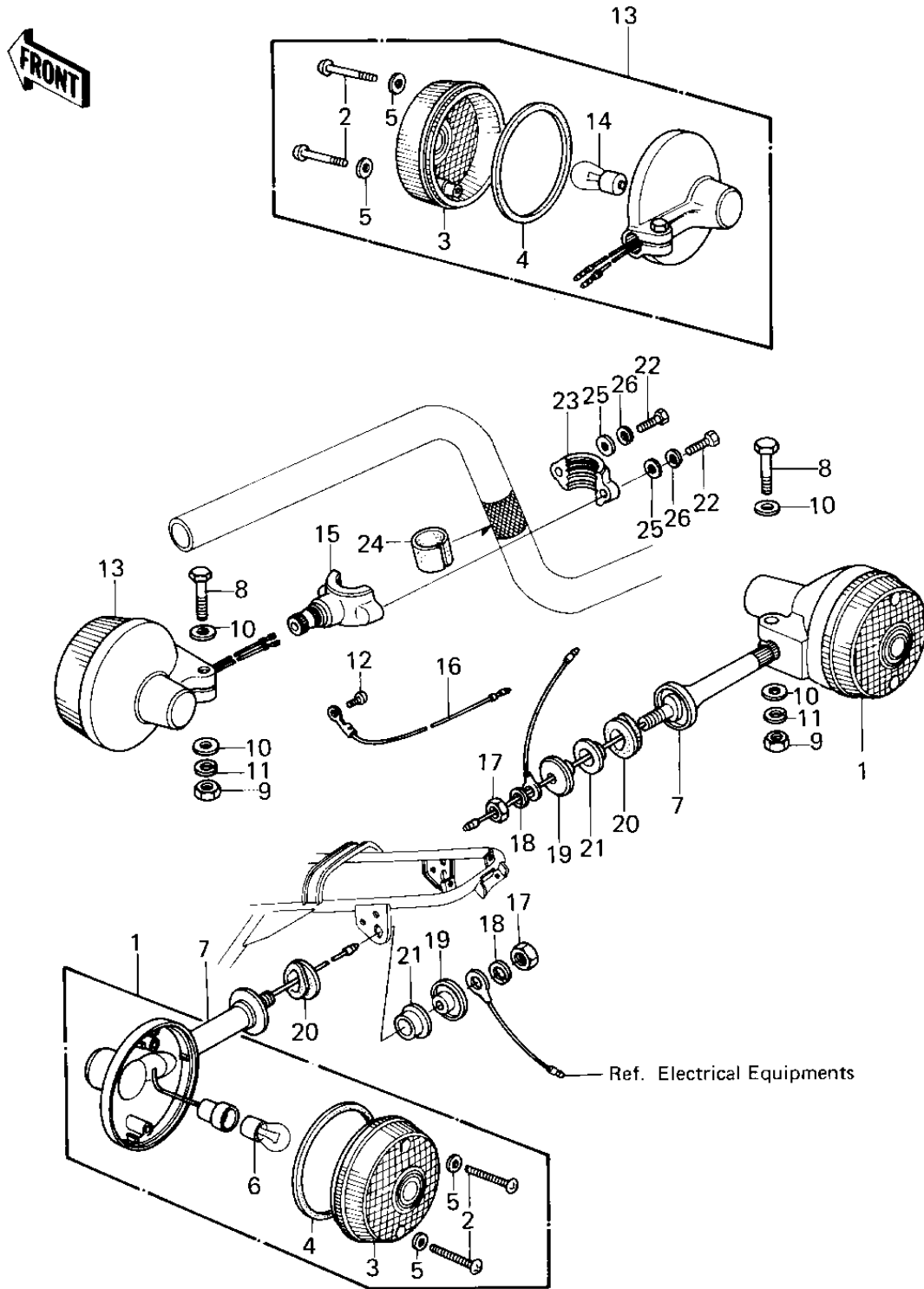


# 1980 LTD PARTS DIAGRAM

## TURN SIGNALS



# 1980 LTD PARTS LIST

## TURN SIGNALS

ITEM NAME	PART NUMBER	QUANTITY
LAMP,TURN SIGNAL (Ref # 1)	23040-054	2
SCREW-PAN HEAD,4X20 (Ref # 2)	220E0420A	8
LENS,TURN SIGNAL LAMP (Ref # 3)	23048-1001	4
GASKET-SIG LAMP LENS (Ref # 4)	23050-003	4
WASHER-PLAIN,4MM (Ref # 5)	23058-002	8
BULB 12V 32CP (Ref # 6)	92069-055	2
BRACKET,TURN SIGNAL.L (Ref # 7)	23051-053	2
BOLT-UPSET (Ref # 8)	112G0630	4
NUT 6MM (Ref # 9)	311B0600	4
WASHER PLAIN 6MM (Ref # 10)	411B0600	8
WASHER SPRING 6MM (Ref # 11)	461F0600	4
SCREW PAN HEAD 3X5 (Ref # 12)	220B0305A	2
LAMP,FRNT,TURN SIGNAL (Ref # 13)	23040-1004	2
BULB,12V 23/8W (Ref # 14)	92069-060	2
BRACKET,FRNT TURN SIG (Ref # 15)	23051-1004	2
WIRE-TURN SIGNAL LEAD (Ref # 16)	26011-061	2
NUT 10MM (Ref # 17)	315B1000	2
WASHER SPRING 10MM (Ref # 18)	461F1000	2
COLLAR (Ref # 19)	92027-147	2
DAMPER RUBBER (Ref # 20)	92075-128	2
DAMPER RUBBER,SIG LM (Ref # 21)	92075-158	2
BOLT (Ref # 22)	110N0516	4
BRACKET,SIGNAL LAMP (Ref # 23)	23051-1013	2
DAMPER RUBBER (Ref # 24)	23066-003	2
WASHER-PLAIN,5MM (Ref # 25)	410D0500	4
WASHER SPRING 5MM (Ref # 26)	461F0500	4