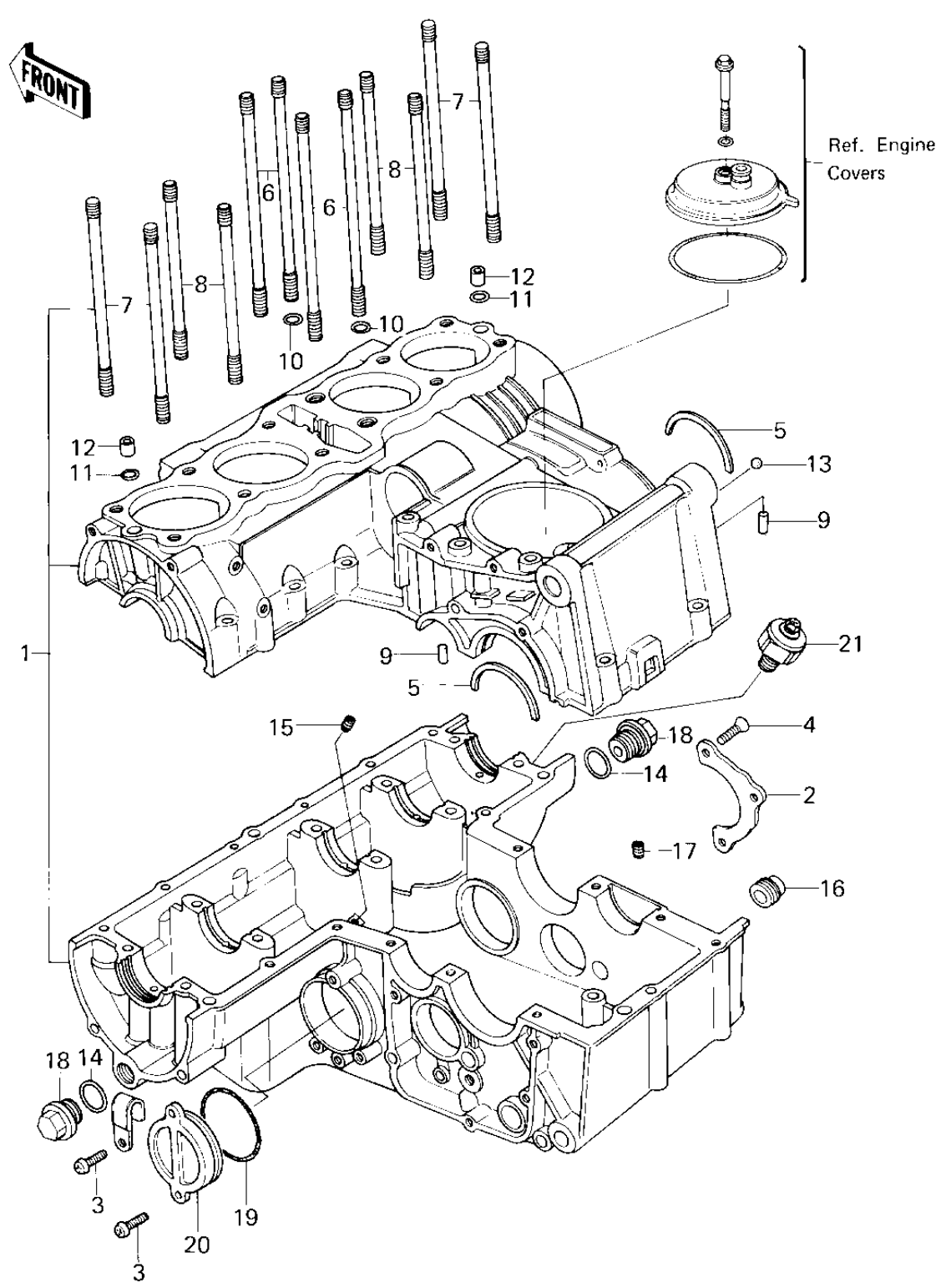


1980 KZ650-F1 PARTS DIAGRAM

CRANKCASE



F
—

1980 KZ650-F1 PARTS LIST

CRANKCASE

ITEM NAME	PART NUMBER	QUANTITY
CRANKCASE SET (Ref # 1)	14001-5046	1
PLATE,POSITIONING (Ref # 2)	14014-1007	1
SCREW PAN HEAD 6X20 (Ref # 3)	220B0620	2
SCREW CNTSNK HD 6X20 (Ref # 4)	221B0620	1
RING BEARING SETTING (Ref # 5)	14013-004	2
STUD, 10X53 (Ref # 6)	92004-062	4
STUD, 10X133 (Ref # 7)	92004-1004	4
STUD, 10X116 (Ref # 8)	92004-1007	4
PIN, DOWEL, 6X16 (Ref # 9)	92042-016	2
O RING, 8.8MM (Ref # 10)	92055-099	2
O RING, 9.8MM, CYLINDER BASE (Ref # 11)	670D2010	2
NOZZLE (Ref # 12)	92062-016	2
PLUG, RUBBER (Ref # 13)	92066-057	1
O RING, MAIN GALLERY (Ref # 14)	92055-097	2
NOZZLE, BLACK (Ref # 15)	92062-011	1
NOZZLE (Ref # 16)	92062-014	1
NOZZLE,SILVER (Ref # 17)	92062-015	1
PLUG, MAIN GALLERY (Ref # 18)	92066-066	2
"O" RING,46MM (Ref # 19)	670B3046	1
PLUG,SECONDARY SHAFT (Ref # 20)	92066-1019	1
SWITCH ASY,OIL PRSSUR (Ref # 21)	16144-006	1