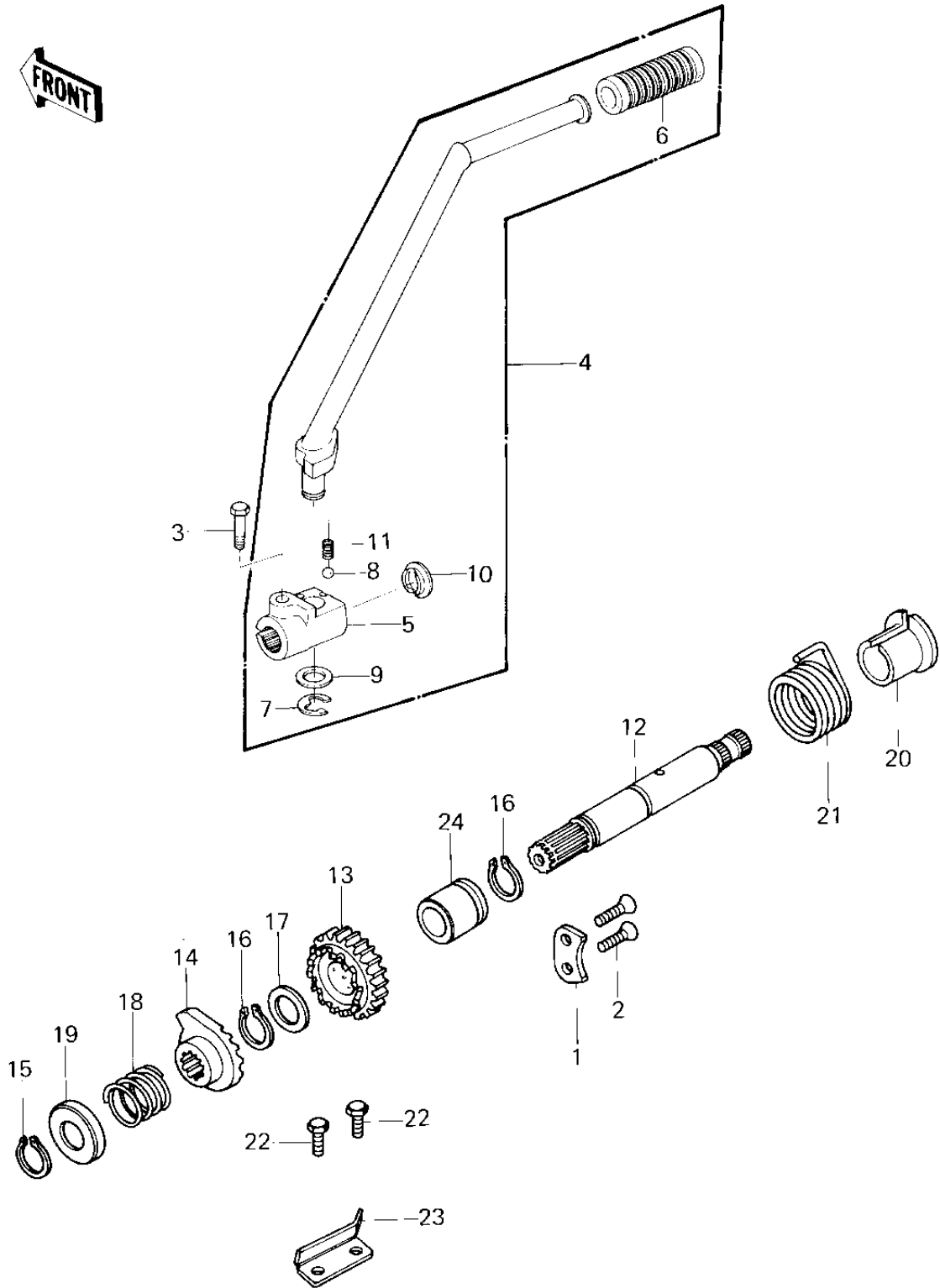


1980 KZ650-F1 PARTS DIAGRAM

KICKSTARTER MECHANISM



1980 KZ650-F1 PARTS LIST

KICKSTARTER MECHANISM

ITEM NAME	PART NUMBER	QUANTITY
PLATE-DRUM LEV POSTON (Ref # 1)	13169-007	1
SCREW CNTSNK HD 6X12 (Ref # 2)	221B0612	2
BOLT-SMALL-UPSET (Ref # 3)	115B0832	1
PEDAL ASSY,KICK (Ref # 4)	13064-1005	1
BOSS,KICK (Ref # 5)	13061-1008	1
RUBBER KICK PEDAL (Ref # 6)	13063-004	1
CIRCLIP 10MM (Ref # 7)	482J0100	1
BALL STEEL 1/4' (Ref # 8)	600A0800	1
WASHER,PLAIN (Ref # 9)	92022-1019	1
PLUG,A,KICKSTARTER (Ref # 10)	92066-058	1
SPRING (Ref # 11)	92081-154	1
SHAFT,KICKSTARTER (Ref # 12)	13066-045	1
GEAR,KICKSTARTER,20T (Ref # 13)	13068-035	1
RATCHET,KICK SHAFT (Ref # 14)	13078-011	1
CIRCLIP,19MM (Ref # 15)	480J1900	1
CIRCLIP, 20MM (Ref # 16)	480J2000	2
WASHER THRUST (Ref # 17)	92022-112	1
SPRING RATCHET (Ref # 18)	92081-104	1
CAP,KICKSTARTER (Ref # 19)	92102-008	1
GUIDE,KICK SPRING (Ref # 20)	13070-009	1
SPRING,KICK RETURN (Ref # 21)	92082-006	1
BOLT-UPSET (Ref # 22)	112G0614	2
STOPPER,KICKSTARTER (Ref # 23)	13072-018	1
BUSHING,KICK SHAFT (Ref # 24)	92028-175	1