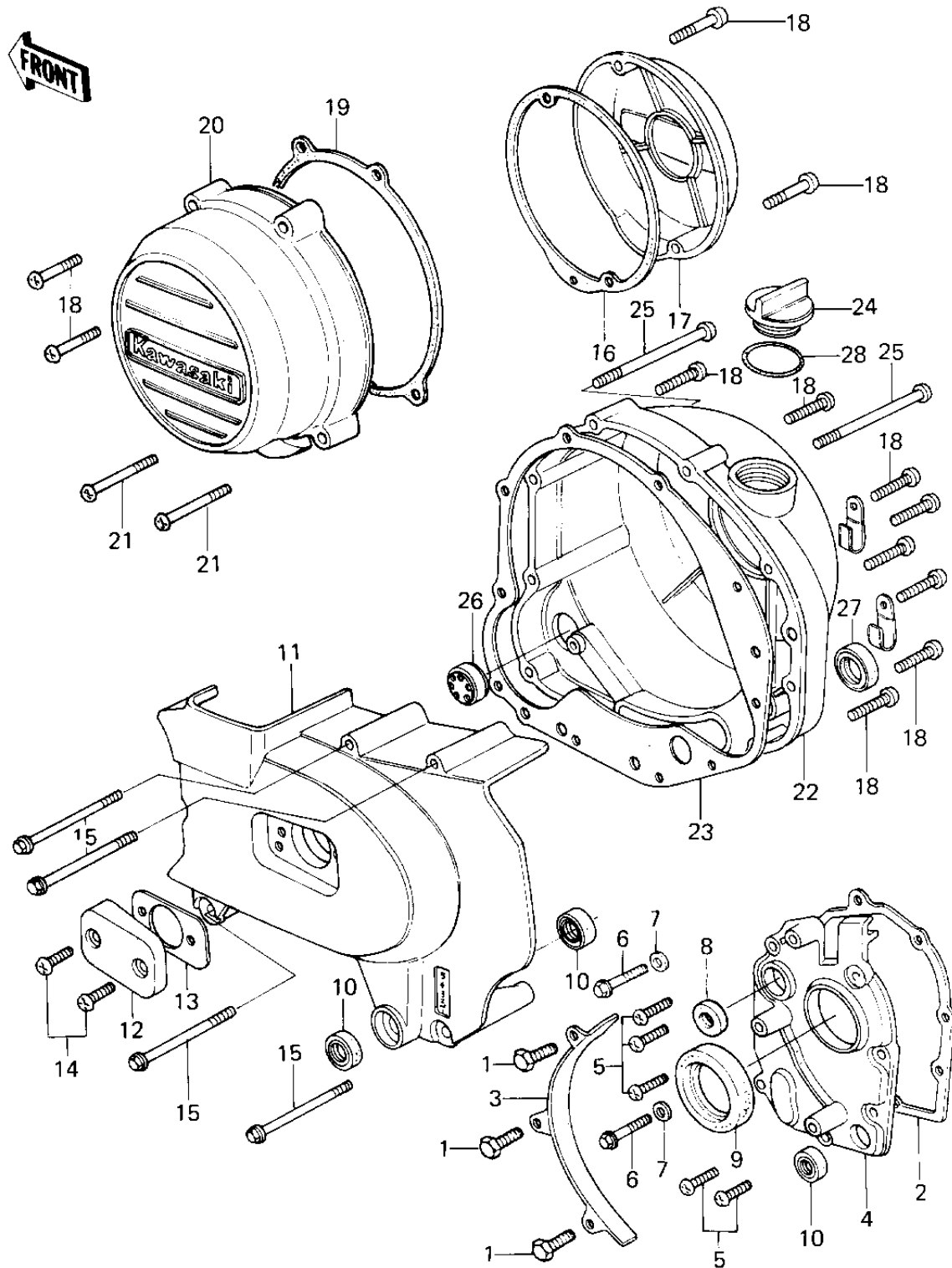


1980 KZ650-F1 PARTS DIAGRAM

ENGINE COVERS



Rt
—

1980 KZ650-F1 PARTS LIST

ENGINE COVERS

| ITEM NAME | PART NUMBER | QUANTITY |
|----------------------------------|--------------|----------|
| BOLT-UPSET 6X14 (Ref # 1) | 112B0614 | 3 |
| GASKET,TRANSMISSION C (Ref # 2) | 11060-1056 | 1 |
| GUIDE,CHAIN (Ref # 3) | 12053-1006 | 1 |
| COVER,MISSION (Ref # 4) | 14024-011 | 1 |
| SCREW PAN HEAD 6X20 (Ref # 5) | 220B0620 | 5 |
| BOLT,HEX HEAD,6X35 (Ref # 6) | 92001-164 | 2 |
| WASHER OIL PUMP BANJO (Ref # 7) | 92022-077 | 2 |
| OIL SEAL,TC7187 (Ref # 8) | 92050-048 | 1 |
| OIL SEAL,SD-8187 (Ref # 8) | 92049-1017 | 1 |
| OIL SEAL SC325210 (Ref # 9) | 92050-024 | 1 |
| OIL SEAL,TB13225.5 (Ref # 10) | 92051-005 | 3 |
| COVER,ENG SPROCKT,BUF (Ref # 11) | 14026-035-80 | 1 |
| COVER,CLUTCH ADJUSTNG (Ref # 12) | 14028-006-80 | 1 |
| GASKET,CLUTCH ADJ CAP (Ref # 13) | 14049-004 | 1 |
| SCREW PAN HEAD 6X18 (Ref # 14) | 220B0618 | 2 |
| BOLT-FLANGED,6X70 (Ref # 15) | 130G0670 | 4 |
| GASKET,PULSING COIL C (Ref # 16) | 11060-1053 | 1 |
| CAP,CONTACT BREAKER (Ref # 17) | 11012-1098 | 1 |
| SCREW PAN HEAD 6X30 (Ref # 18) | 220B0630 | 12 |
| GASKET,GENERATOR COVE (Ref # 19) | 11009-1987 | 1 |
| COVER,GENERATOR (Ref # 20) | 14031-1040 | 1 |
| SCREW PAN HEAD 6X40 (Ref # 21) | 220B0640 | 2 |
| COVER,R.H.ENG,BUFF FN (Ref # 22) | 14032-117-80 | 1 |
| GASKET,R.H.ENG COVER (Ref # 23) | 14046-035 | 1 |
| PLUG,OIL FILLER (Ref # 24) | 16115-013 | 1 |
| SCREW PAN HEAD 6X80 (Ref # 25) | 220B0680 | 2 |
| GAUGE,OIL LEVEL (Ref # 26) | 52015-004 | 1 |
| OIL SEAL SB20285 (Ref # 27) | 92049-012 | 1 |
| "O" RING,31MM (Ref # 28) | 92055-049 | 1 |