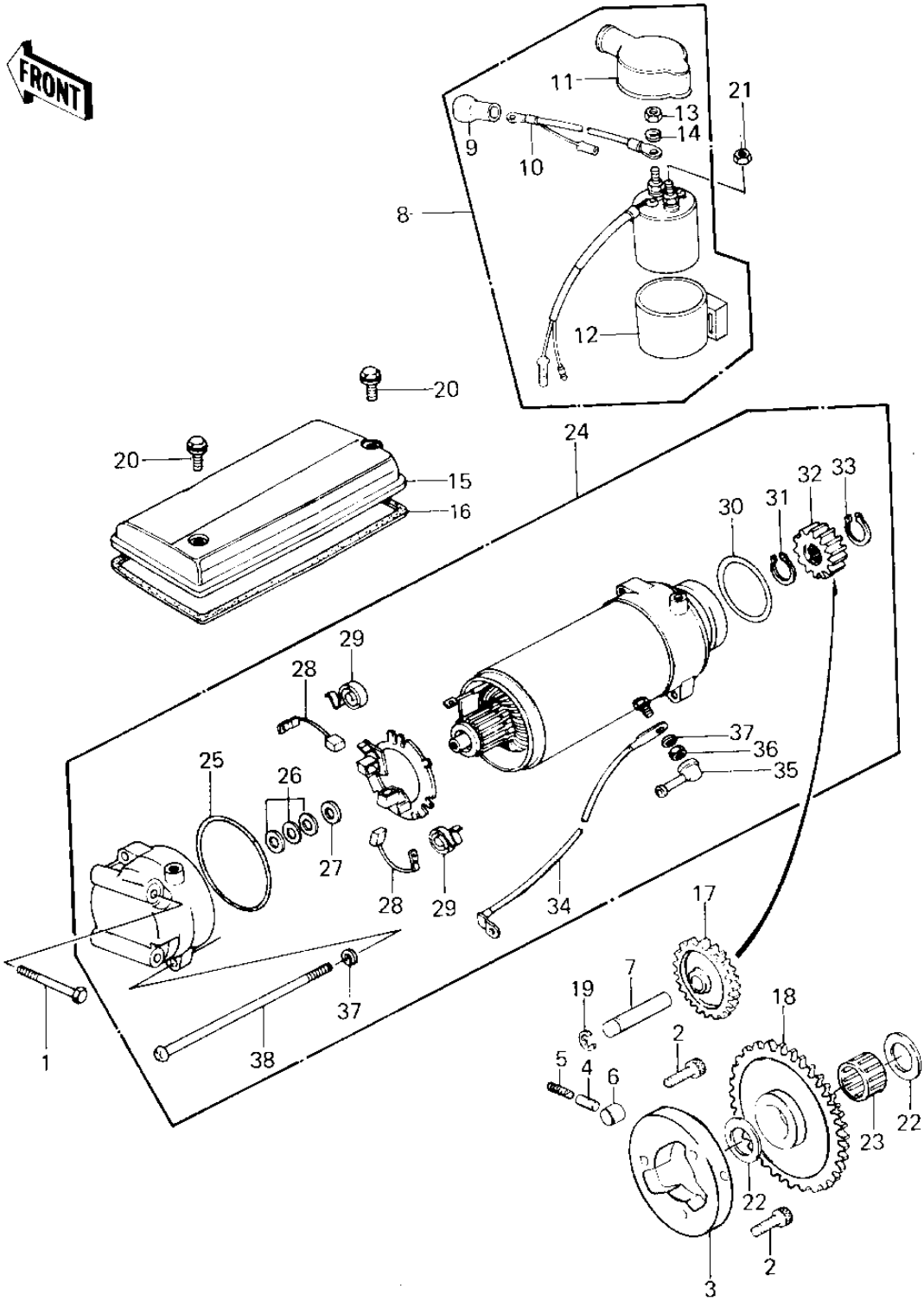


1980 KZ650-F1 PARTS DIAGRAM

STARTER MOTOR/STARTER CLUTCH



1980 KZ650-F1 PARTS LIST

STARTER MOTOR/STARTER CLUTCH

ITEM NAME	PART NUMBER	QUANTITY
BOLT-UPSET (Ref # 1)	112G0660	2
BOLT,SOCKET,8X12 (Ref # 2)	120P0812	3
CLUTCH-ASSY-ONEWAY (Ref # 3)	13193-1012	1
PIN (Ref # 4)	92043-087	3
SPRING (Ref # 5)	92081-110	3
ROLLER (Ref # 6)	92122-004	3
SHAFT,IDLE GEAR (Ref # 7)	21143-003	1
SWITCH,MAGNETIC (Ref # 8)	27010-1050	1
CAP,MAGNETIC SWITCH (Ref # 9)	21017-023	1
WIRE-LEAD,MAGNETIC SW (Ref # 10)	26011-1128	1
COVER MAGNETIC SWITCH (Ref # 11)	21141-004	1
DAMPER MAG SWITCH SHK (Ref # 12)	21064-002	1
NUT 6MM (Ref # 13)	312B0600	1
WASHER SPRING 6MM (Ref # 14)	461F0600	1
COVER,STARTER (Ref # 15)	21165-003	1
GASKET,STARTER COVER (Ref # 16)	21166-003	1
GEAR,IDLE,29T (Ref # 17)	21167-004	1
SPROCKET,STARTER,58T (Ref # 18)	12046-1032	1
CIRCLIP 12MM (Ref # 19)	482K0200	1
BOLT,6X10 (Ref # 20)	92001-1151	2
NUT,LOCK 6MM (Ref # 21)	92017-014	1
SPACER,25X36X3.2 (Ref # 22)	92026-1025	2
BRG,NEEDLE,K253017 (Ref # 23)	92046-056	1
STARTER-ELECTRIC (Ref # 24)	21163-1022	1
"O" RING,62MM (Ref # 25)	21027-006	1
WASHER,THRUST,0.2T (Ref # 26)	21025-011	AR
WASHER,THRUST,1.6T (Ref # 27)	21025-010	1
CARBON BRUSH (Ref # 28)	21039-003	2
SPRING,CARBON BRUSH (Ref # 29)	21040-003	2

1980 KZ650-F1 PARTS LIST

STARTER MOTOR/STARTER CLUTCH

ITEM NAME	PART NUMBER	QUANTITY
"0" RING,40M/M (Ref # 30)	21027-008	1
CIRCLIP (Ref # 31)	92033-034	1
PINION,STARTER (Ref # 32)	21053-004	1
CIRCLIP,13M/M (Ref # 33)	92033-037	1
WIRE-LEAD,STARTER (Ref # 34)	26011-1099	1
CAP, STARTER MOTOR TERMINAL (Ref # 35)	21017 020	1
NUT 6MM (Ref # 36)	312B0600	2
WASHER SPRING 6MM (Ref # 37)	461F0600	4
SCREW, PAN HEAD, 6 X 130 (Ref # 38)	21099 006	2