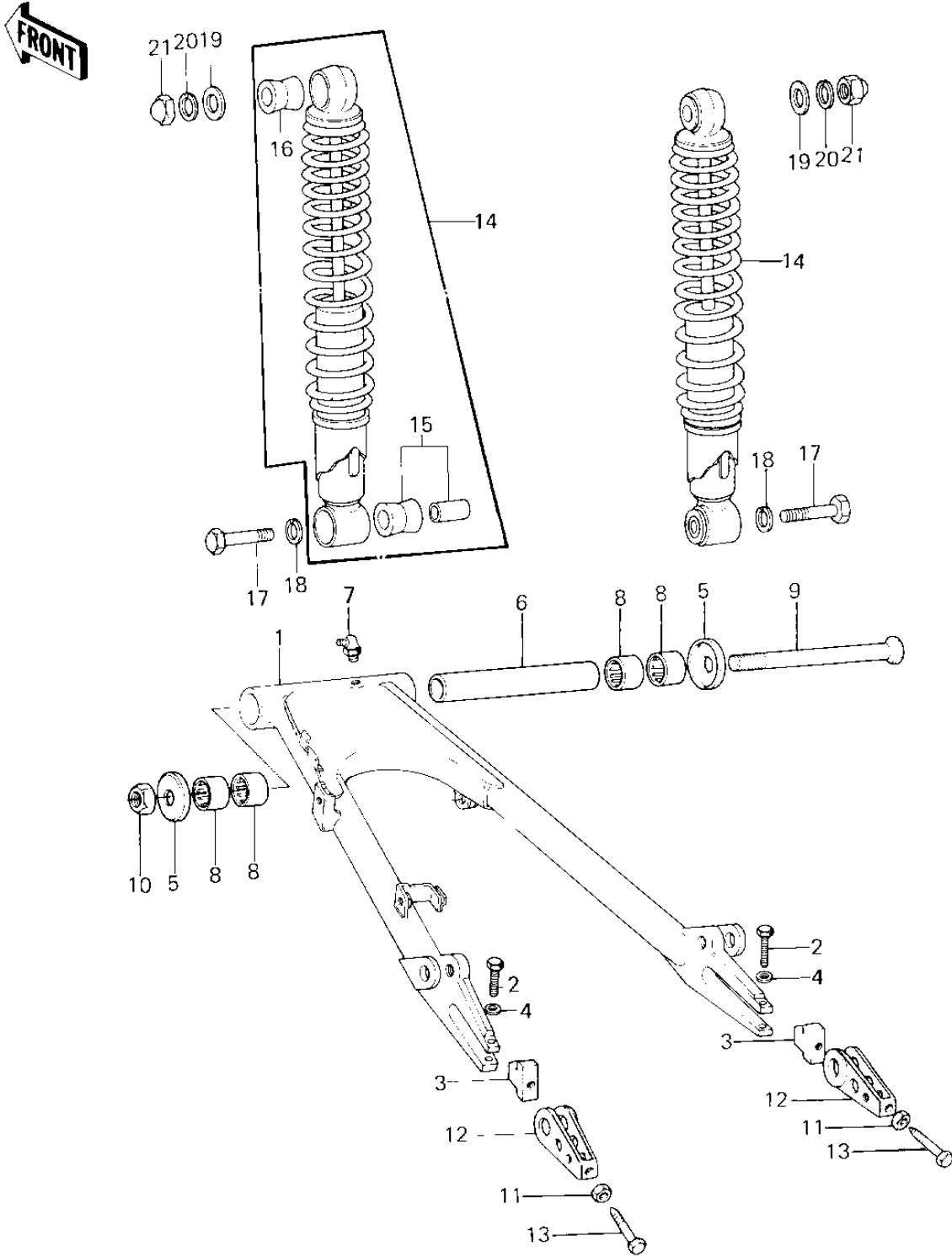


1980 KZ650-F1 PARTS DIAGRAM

SWING ARM/SHOCK ABSORBERS



1980 KZ650-F1 PARTS LIST

SWING ARM/SHOCK ABSORBERS

ITEM NAME	PART NUMBER	QUANTITY
ARM-COMP-SWING (Ref # 1)	33001-1078	1
BOLT,FLANGED,8X35 (Ref # 2)	92001-1577	2
STOPPER,CHAIN ADJUST (Ref # 3)	33044-002	2
WASHER SPRING 8MM (Ref # 4)	461F0800	2
CAP,SWING ARM (Ref # 5)	33035-009	2
SLEEVE,SWING ARM (Ref # 6)	42036-1012	1
GREASE NIPPLE (Ref # 7)	92005-002	1
BEARING-NEEDLE,HK2216 (Ref # 8)	92046-1115	4
SHAFT,SWING ARM (Ref # 9)	33032-050	1
NUT-SELF LOCKING (Ref # 10)	92019-012	1
NUT 8MM (Ref # 11)	312B0800	2
ADJUSTER,CHAIN (Ref # 12)	33040-056	2
BOLT,8X50 (Ref # 13)	92001-1399	2
SHOCK ABSBR RR (Ref # 14)	45014-1044	2
BUSHING,SHOCK ABSORBER (Ref # 15)	45017-019	2
BUSHING,SHOCK ABSORBER (Ref # 16)	45017-020	2
BOLT HEX HEAD 10X35 (Ref # 17)	113N1035	2
WASHER SPRING 10MM (Ref # 18)	461F1000	2
WASHER PLAIN 12MM (Ref # 19)	410B1200	2
WASHER SPRING 12MM (Ref # 20)	461F1200	2
NUT 12MM (Ref # 21)	92020-014	2