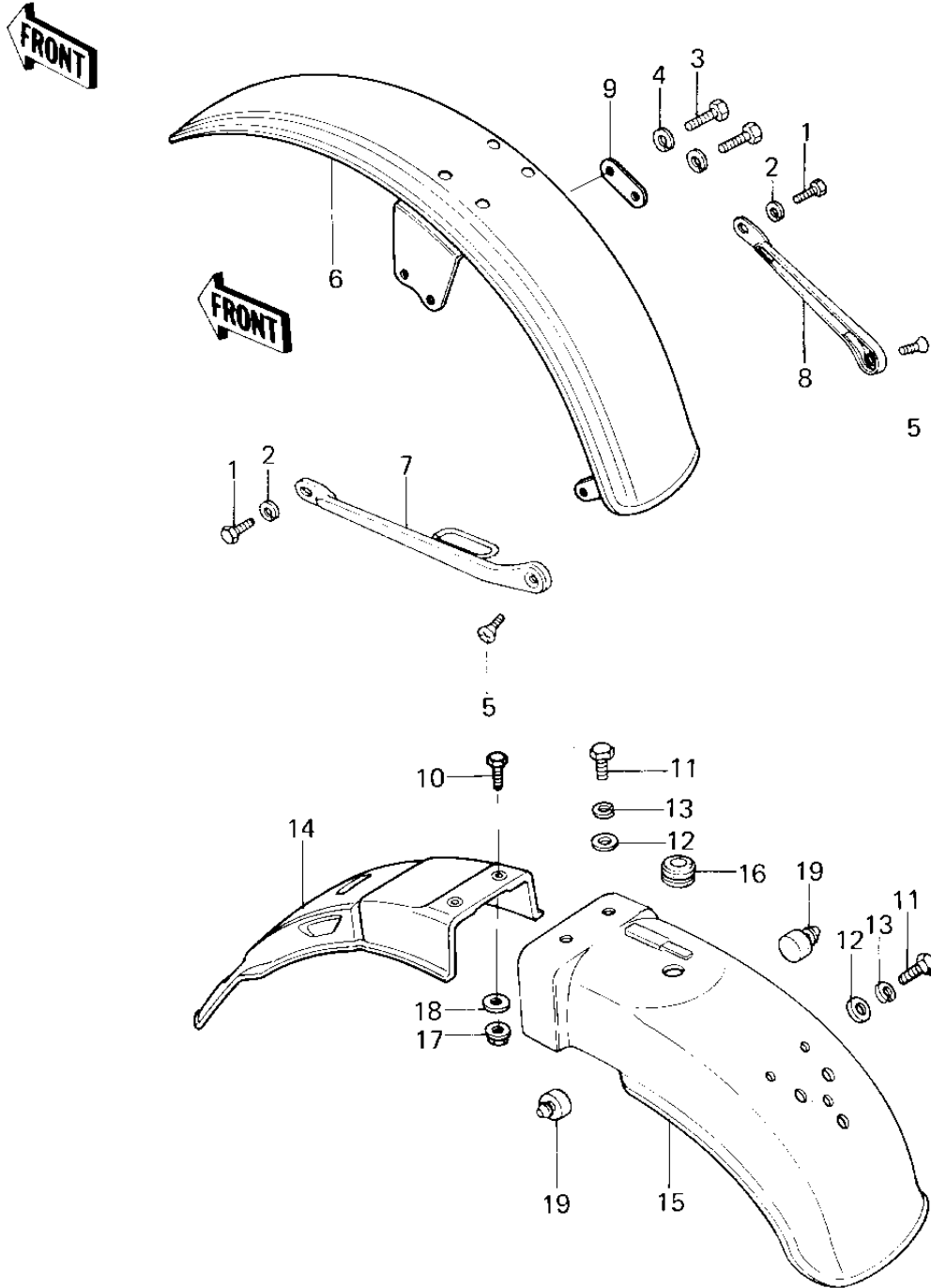


1980 KZ650-F1 PARTS DIAGRAM

FENDERS



1980 KZ650-F1 PARTS LIST

FENDERS

ITEM NAME	PART NUMBER	QUANTITY
BOLT-UPSET,6X12 (Ref # 1)	112G0612	2
WASHER SPRING 6MM (Ref # 2)	461F0600	2
BOLT-SMALL-UPSET,8X16 (Ref # 3)	115G0816	4
WASHER SPRING 8MM (Ref # 4)	461F0800	4
SCREW,OVL CNTSNK,6X16 (Ref # 5)	222E0616	2
FENDER-FR (Ref # 6)	35001-1017	1
STAY,FRONT FENDER,L.H (Ref # 7)	35011-1001	1
STAY,FRONT FENDER,R.H (Ref # 8)	35011-1002	1
SPACER,FRONT FENDER (Ref # 9)	92026-1008	1
BOLT-UPSET,6X16 (Ref # 10)	112G0616	2
BOLT-UPSET 6X14 (Ref # 11)	112B0614	4
WASHER PLAIN 6MM (Ref # 12)	410B0600	4
WASHER SPRING 6MM (Ref # 13)	461F0600	4
FENDER-RR (Ref # 14)	35022-1046	1
FENDER-RR (Ref # 15)	35022-153	1
GROMMET HARNESS 10MM (Ref # 16)	92071-019	1
NUT-6MM (Ref # 17)	92015-1078	2
WASHER 6.5X20X1.6T (Ref # 18)	92022-125	2
DAMPER RUBBER,RR FEND (Ref # 19)	92075-135	2