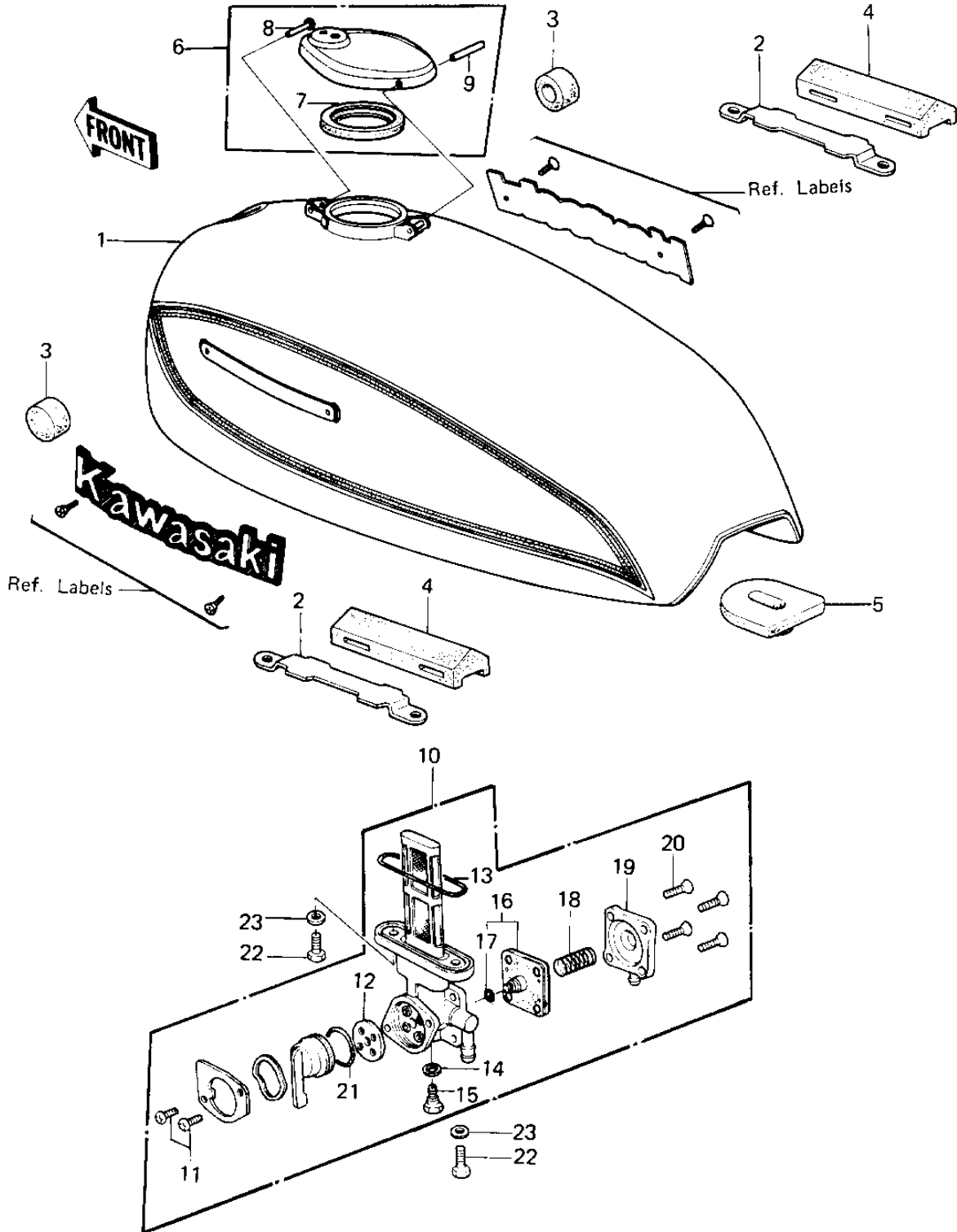


1980 KZ650-F1 PARTS DIAGRAM

FUEL TANK



1980 KZ650-F1 PARTS LIST

FUEL TANK

ITEM NAME	PART NUMBER	QUANTITY
TANK-FUEL,L.D.BLUE (Ref # 1)	51001-5037-7Z	1
TANK-FUEL,C.E.GREEN (Ref # 1)	51001-5059-4U	1
BRACKET,IGNITION COIL (Ref # 2)	11034-1125	2
DAMPER RUBBER-FL TANK (Ref # 3)	92075-101	2
DAMPER,IGNITION COIL (Ref # 4)	92075-1033	2
DAMPER RUBBER FUEL TA (Ref # 5)	92075-295	1
CAP,FUEL TANK (Ref # 6)	51048-012	1
GASKET-FUEL TANK CAP (Ref # 7)	51059-008	1
PIN,HOOK (Ref # 8)	92043-126	1
PIN,CAP HINGE (Ref # 9)	92043-127	1
TAP ASSY,FUEL (Ref # 10)	51023-1023	1
SCREW PAN HEAD 3X8 (Ref # 11)	220B0308	2
GASKET,TAP VALVE (Ref # 12)	11009-1194	1
"O" RING (Ref # 13)	51039-010	1
GASKET,DRAIN BOLT (Ref # 14)	11009-1045	1
BOLT,DRAIN (Ref # 15)	92001-1089	1
DIAPHRAGM ASSY,TAP (Ref # 16)	43028-1015	1
"O" RING,4MM (Ref # 17)	670B1504	1
SPRING,TAP (Ref # 18)	92081-1171	1
COVER ASSY,TAP (Ref # 19)	16146-1005	1
SCREW CNTSNK HD 4X12 (Ref # 20)	221B0412A	4
"O" RING,TAP LEVER (Ref # 21)	92055-1027	1
BOLT,6X20,FUEL TAP (Ref # 22)	92001-1091	2
WASHER-PLAIN (Ref # 23)	92022-183	2