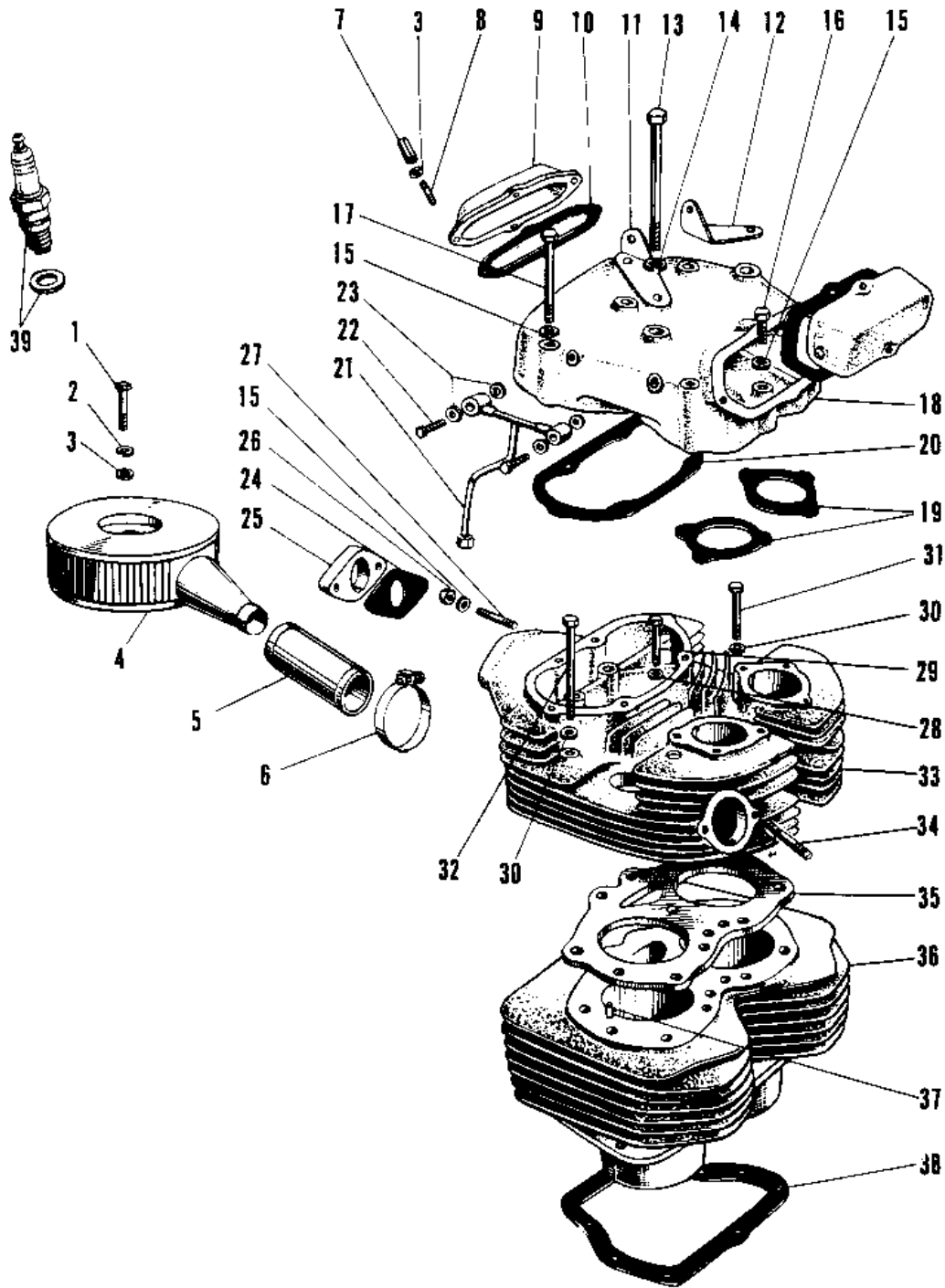


# 1968 W1SS PARTS DIAGRAM

CYLINDER HEAD/CYLINDER (W1/W1SS)



# 1968 W1SS PARTS LIST

## CYLINDER HEAD/CYLINDER (W1/W1SS)

ITEM NAME	PART NUMBER	QUANTITY
BOLT-UPSET (Ref # 1)	112G0660	1
WASHER SPRING 6MM (Ref # 2)	461F0600	1
WASHER PLAIN 6MM (Ref # 3)	410B0600	9
AIR CLEANER ASSY (Ref # 4)	11010-026	1
INLET PIPE (Ref # 5)	11015-010	1
CLAMP AIR CLEANER (Ref # 6)	92037-023	1
NUT ROCKER COVER (Ref # 7)	92017-005	8
STUD 6X14 (Ref # 8)	172G0614	8
COVER ROCKER (Ref # 9)	11027-002	2
GASKET ROCKER COVER (Ref # 10)	11023-004	2
PLATE SUPPORT A (Ref # 11)	14052-003	1
PLATE B,SUPPORT (Ref # 12)	14052-008	1
BOLT, HEX HEAD, 8X90 (Ref # 13)	115B0890	4
WASHER SPRING 8MM (Ref # 14)	461F0800	4
WASHER PLAIN 8MM (Ref # 15)	410B0800	10
BOLT (Ref # 16)	114G0836	4
BOLT HEX HEAD 8X63 (Ref # 17)	114G0863	4
CASE ROCKER (Ref # 18)	11022-001	1
GASKET ROCKER CASE B (Ref # 19)	11023-002	2
GASKET ROCKER CASE A (Ref # 20)	11023-001	1
PIPE-ROCKER CASE OIL (Ref # 21)	16122-002	1
BOLT BANJO (Ref # 22)	92001-058	2
WASHER PLAIN 87M (Ref # 23)	92022-154	4
GASKET INTAKE FLANGE (Ref # 24)	16062-004	1
INSULATOR HEAT (Ref # 25)	16061-007	1
NUT,8MM (Ref # 26)	317G0800	2
STUD 8X22 (Ref # 27)	171G0822	2
UNAVAILABLE IN PRICE BOOK (Ref # 28)	92022-088	(1
WASHER CYL HEAD BOLT (Ref # 28)	92022-099	1

# 1968 W1SS PARTS LIST

## CYLINDER HEAD/CYLINDER (W1/W1SS)

ITEM NAME	PART NUMBER	QUANTITY
BOLT,HEX HEAD 10X40 (Ref # 29)	92001-1253	(1
BOLT,HEX HEAD,10X42 (Ref # 29)	92003-091	1
WASHER PLAIN 10MM (Ref # 30)	411B1000	(8
WASHER-PLN,10X22X3.2 (Ref # 30)	92022-176	8
BOLT,HEX HEAD,10X50 (Ref # 31)	92001-1254	(2
BOLT,HEX HEAD,10X50 (Ref # 31)	92003-090	2
BOLT HEX HEAD 10X75 (Ref # 32)	113G1075	(6
BOLT,HEX HEAD,10X78 (Ref # 32)	92003-089	6
CYLINDER HEAD (Ref # 33)	11002-004	1
STUD,8X25 (Ref # 34)	92004-1008	4
GASKET,CYLINDER HEAD (Ref # 35)	11004-054	(1
GASKET,CYLINDER HEAD (Ref # 35)	11004-054	1
CYLINDER (Ref # 36)	11005-065	(1
CYLINDER (Ref # 36)	11005-065	1
PIN DOWEL 8X16 (Ref # 37)	551A0816	2
GASKET CYLINDER BASE (Ref # 38)	11009-016	1
SPARK PLUG B7ES (Ref # 39)	B7ES	2