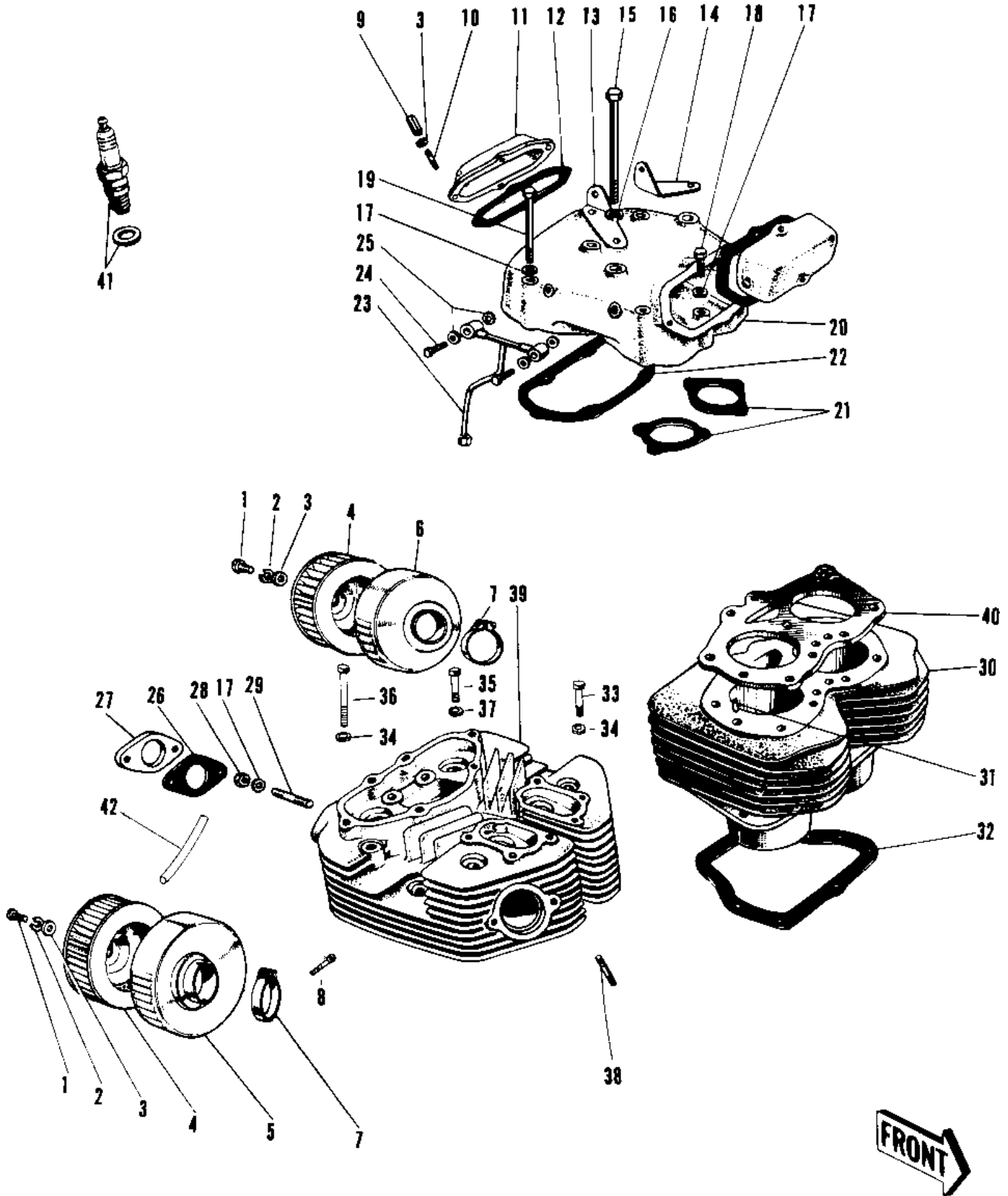


1966 W1 PARTS DIAGRAM

CYLINDER HEAD/CYLINDER (W2SS/W2TT)



1966 W1 PARTS LIST

CYLINDER HEAD/CYLINDER (W2SS/W2TT)

ITEM NAME	PART NUMBER	QUANTITY
AIR CLEANER ASSY-R.H (Ref # 1~5)	11010-053	1
AIR CLEANER ASSY-L.H. (Ref # 1~46)	11010-054	1
SCREW PAN HEAD 6X16 (Ref # 1)	220B0616	2
WASHER SPRING 6MM (Ref # 2)	461F0600	2
WASHER PLAIN 6MM (Ref # 3)	410B0600	10
ELEMENT,AIR CLNR (Ref # 4)	11013-014	2
CAP AIR CLEANER R.H (Ref # 5)	11012-009	1
CAP AIR CLEANER L.H (Ref # 6)	11012-010	1
CLAMP (Ref # 7)	92037-030	2
SCREW FLT FIL HD 6X25 (Ref # 8)	210E0625	(2
SCREW PAN HEAD 6X25 (Ref # 8)	220B0625	2
NUT ROCKER COVER (Ref # 9)	92017-005	8
STUD 6X14 (Ref # 10)	172G0614	8
COVER ROCKER (Ref # 11)	11027-002	2
GASKET ROCKER COVER (Ref # 12)	11023-004	2
PLATE SUPPORT A (Ref # 13)	14052-003	1
PLATE B,SUPPORT (Ref # 14)	14052-008	1
BOLT, HEX HEAD, 8X90 (Ref # 15)	115B0890	4
WASHER SPRING 8MM (Ref # 16)	461F0800	4
WASHER PLAIN 8MM (Ref # 17)	410B0800	12
BOLT (Ref # 18)	114G0836	4
BOLT HEX HEAD 8X63 (Ref # 19)	114G0863	4
CASE ROCKER (Ref # 20)	11022-001	1
GASKET ROCKER CASE B (Ref # 21)	11023-002	2
GASKET ROCKER CASE A (Ref # 22)	11023-001	1
PIPE-ROCKER CASE OIL (Ref # 23)	16122-002	1
BOLT BANJO (Ref # 24)	92001-058	2
WASHER PLAIN 87M (Ref # 25)	92022-154	4
GASKET INTAKE FLANGE (Ref # 26)	16062-004	2

1966 W1 PARTS LIST

CYLINDER HEAD/CYLINDER (W2SS/W2TT)

ITEM NAME	PART NUMBER	QUANTITY
INSULATOR HEAT (Ref # 27)	16061-007	2
NUT,8MM (Ref # 28)	317G0800	4
STUD 8X22 (Ref # 29)	171G0822	4
CYLINDER (Ref # 30)	11005-065	1
PIN DOWEL 8X16 (Ref # 31)	551A0816	2
GASKET CYLINDER BASE (Ref # 32)	11009-016	1
BOLT,HEX HEAD,10X50 (Ref # 33)	92003-090	2
WASHER-PLN,10X22X3.2 (Ref # 34)	92022-176	8
BOLT,HEX HEAD,10X42 (Ref # 35)	92003-091	1
BOLT,HEX HEAD,10X78 (Ref # 36)	92003-089	6
WASHER CYL HEAD BOLT (Ref # 37)	92022-099	1
STUD,8X25 (Ref # 38)	92004-1008	4
UNAVAILABLE IN PRICE BOOK (Ref # 39)	11002-005	1
GASKET,CYLINDER HEAD (Ref # 40)	11004-054	1
SPARK PLUG B7ES (Ref # 41)	B7ES	2
PIPE (Ref # 42)	92059-069	1